



MOORING EQUIPMENT

- FAIRLEADS
 - GUIDE WITH ROLLERS
 - WARPING ROLLERS
WITH FOUNDATION
 - ROPE WINDING WINCH
 - BOLLARDS
 - PANAMA CHOCKS
-

VULKAN-NOVA d.o.o. Factory of cranes & ship`s equipment
Radnicka b.b. - 51000 Rijeka - CROATIA

Tel: +385 51 444-074; +385 51 444-080; Fax: +385 51 436-084; www.vulkan-nova.hr; info@vulkan-nova.hr



CONTENTS

1. FAIRLEAD

1.1. Fairlead with 4 rollers	1
1.2. Fairlead with 5 rollers	5
1.3. Fairlead with 7 rollers	11
1.4. Fairlead with 8 rollers	16
1.5. Fairlead with 9 rollers	18

2. GUIDE WITH ROLLERS

2.1. Guide with 3 rollers	19
---------------------------------	----

3. WARPING ROLLER WITH FOUNDATION

3.1. Warping roller with foundation	20
3.2. Warping roller	21

4. ROPE WINDING WINCH

4.1. Rope winding winch	22
-------------------------------	----

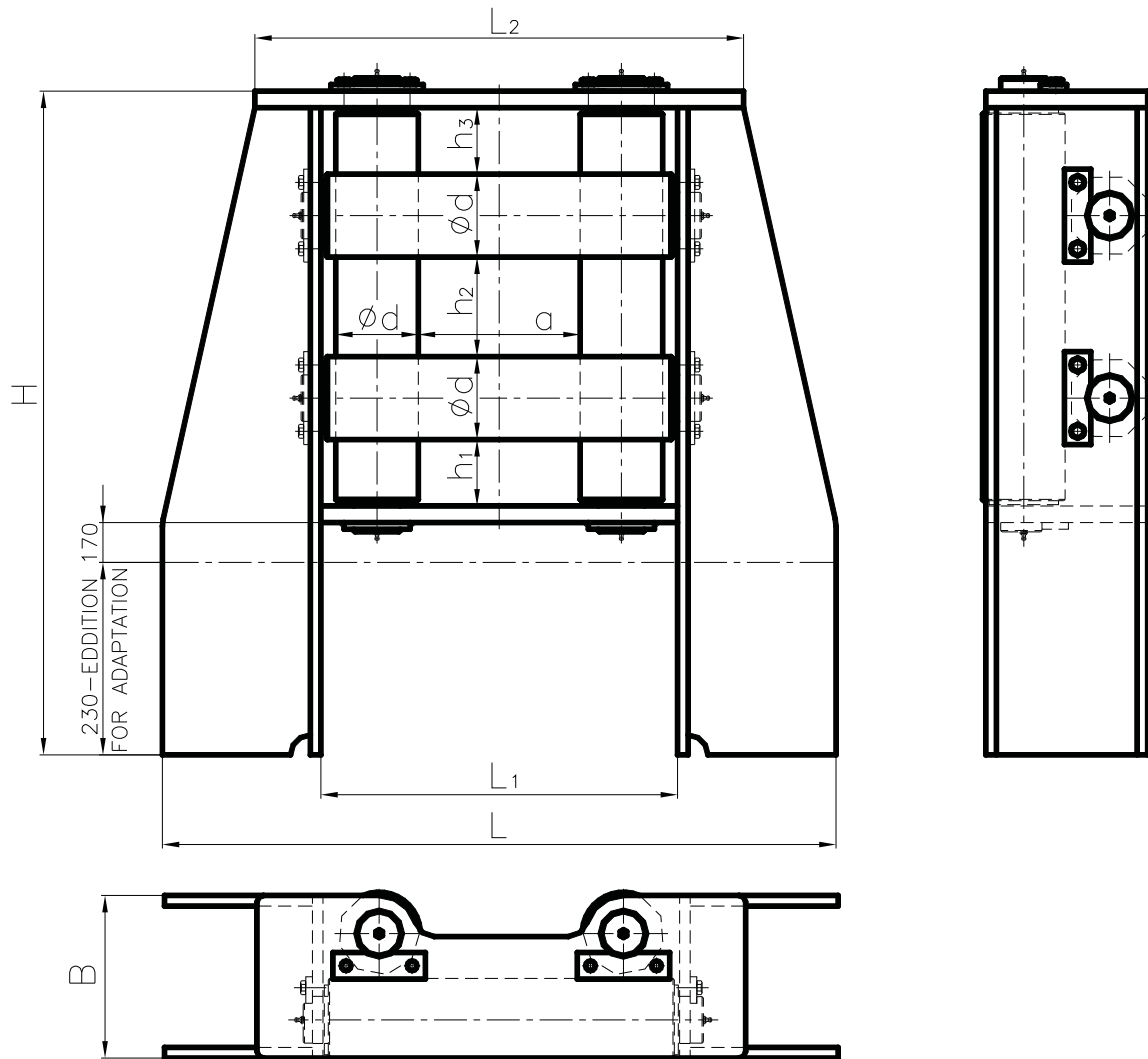
5. BOLLARDS

5.1. Single bollard	23
5.2. Cross bollard	24
5.3. Double bollard	27
5.4. Bollard with warping roller	31
5.5. Bollard with 2 warping roller	32

6. PANAMA CHOCKS

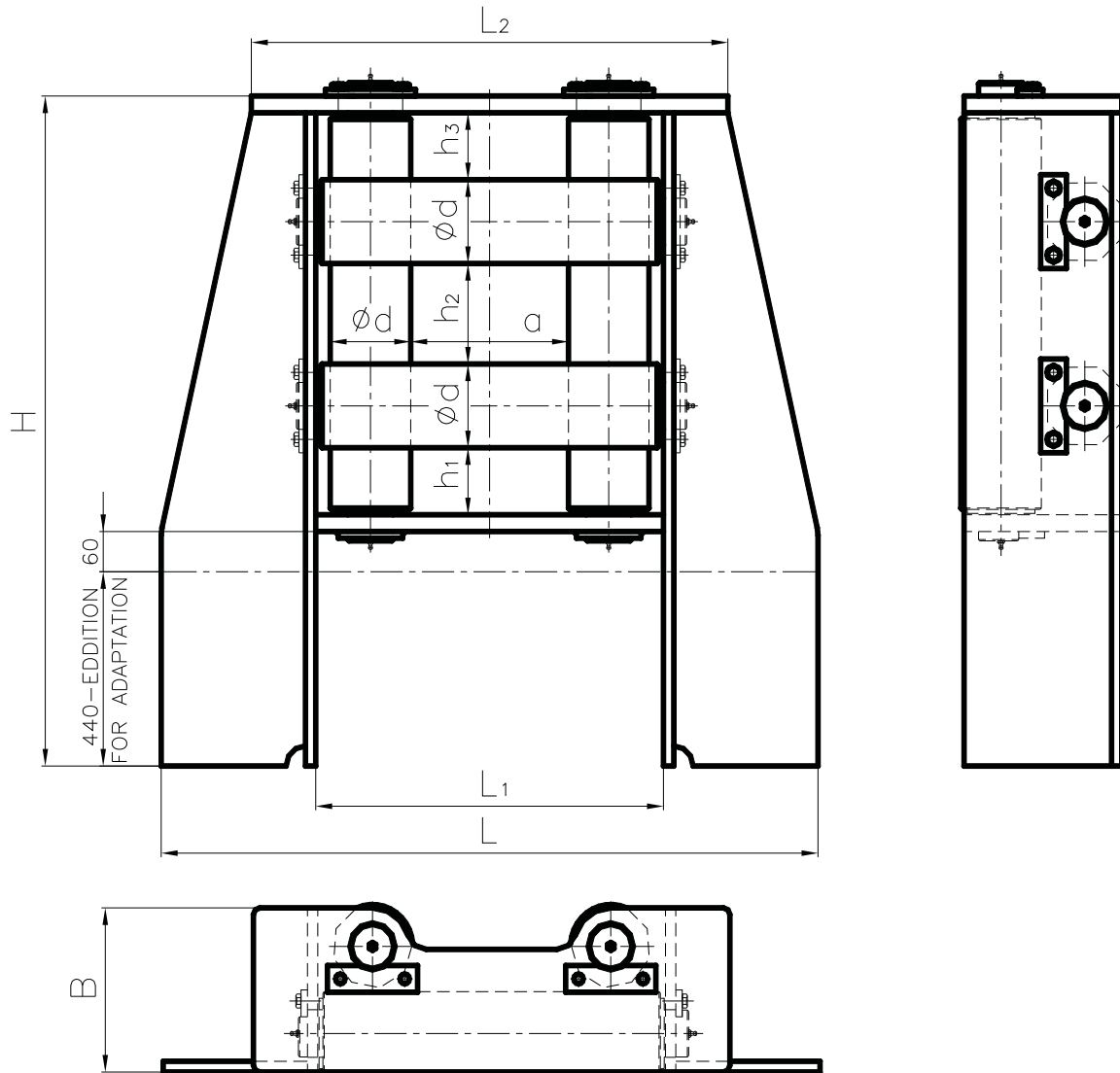
6.1. Panama chocks	33
6.2. Mooring pipe	40
6.3. Horn type mooring pipe	41
6.4. Single point mooring pipe	42

FAIRLEAD WITH 4 ROLLERS - TYPE 1 ZJEVAČA SA 4 VALJKA - TIP 1



Size	Nominal pull (kN)	a (mm)	B (mm)	ød (mm)	H (mm)	h ₁ (mm)	h ₂ (mm)	h ₃ (mm)	L (mm)	L ₁ (mm)	L ₂ (mm)	Weight (kg)
1	120	250	245	125	1050	100	150	100	1020	540	740	623
2	160	300	315	160	1190	120	200	100	1240	660	860	1117
3	250	300	355	180	1240	140	200	80	1380	700	900	1469

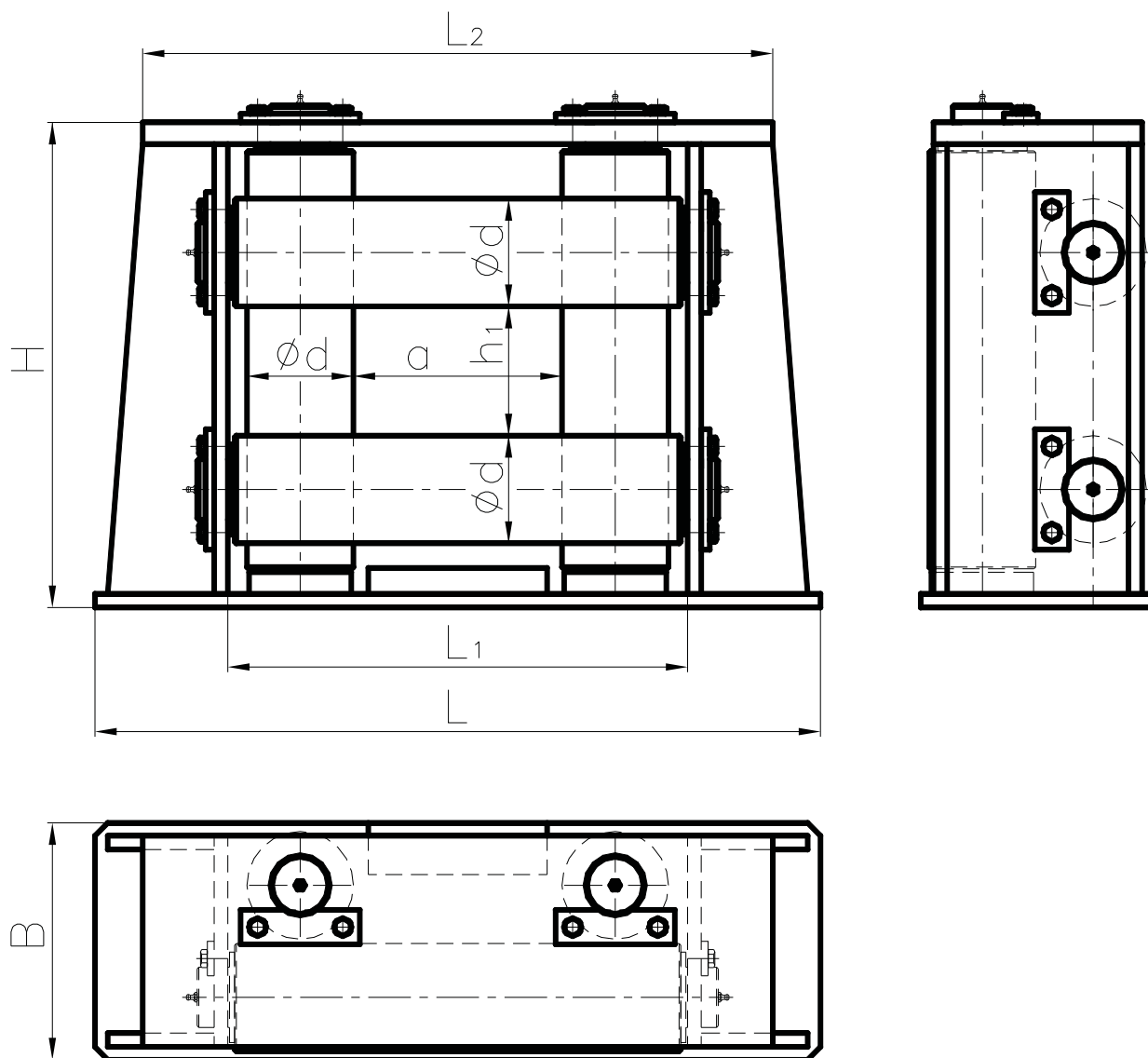
FAIRLEAD WITH 4 ROLLERS - TYPE 2 ZJEVAČA SA 4 VALJKA - TIP 2



Size	Nominal pull (kN)	a (mm)	B (mm)	ød (mm)	H (mm)	h ₁ (mm)	h ₂ (mm)	h ₃ (mm)	L (mm)	L ₁ (mm)	L ₂ (mm)	Weight (kg)
1	120	250	245	125	1150	100	150	100	1020	540	740	599
2	160	300	315	160	1290	120	200	100	1240	660	860	1021
3	250	300	355	180	1340	140	200	80	1380	700	900	1324

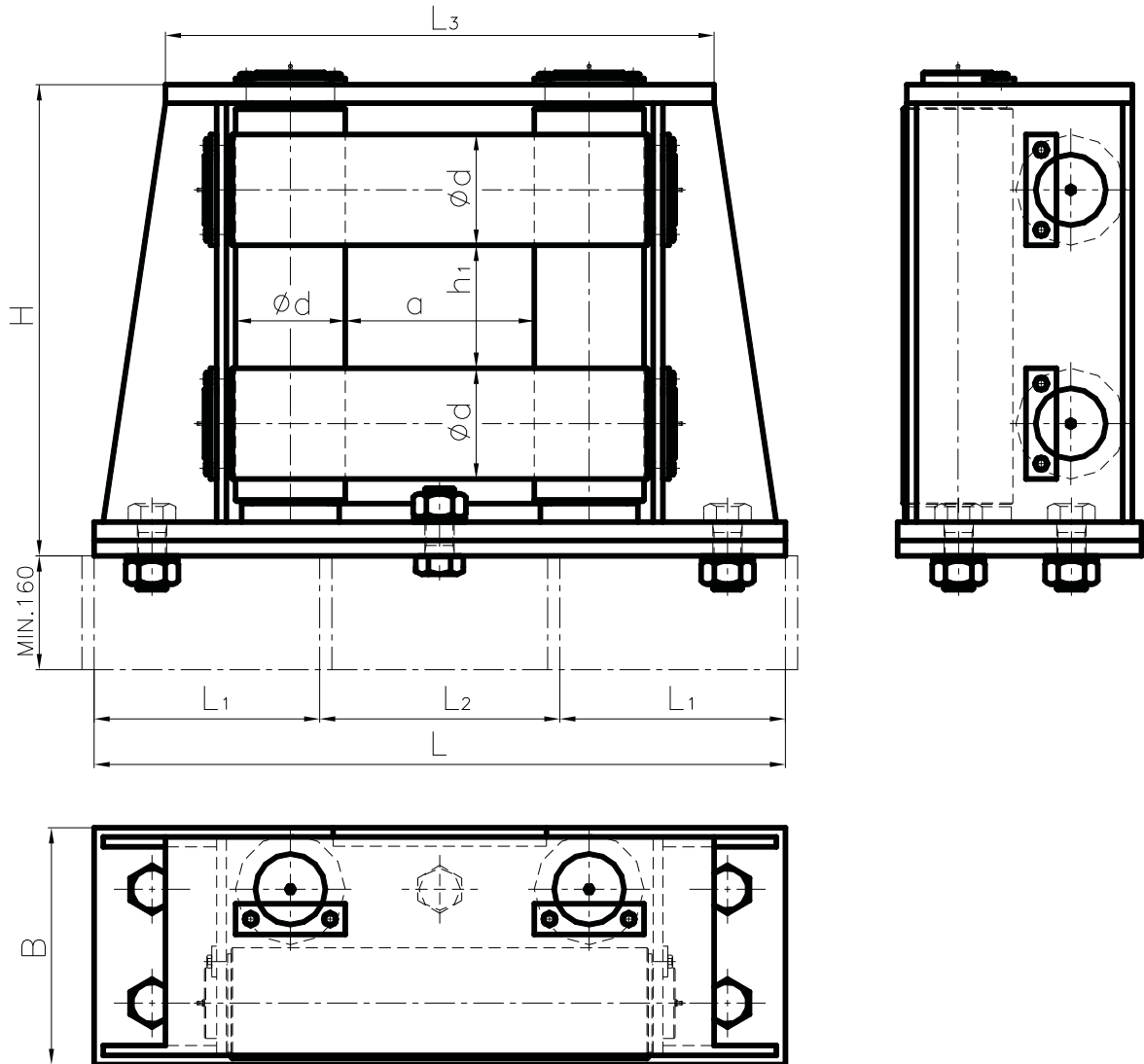
FAIRLEAD WITH 4 ROLLERS - TYPE 3

ZJEVACA SA 4 VALJKA - TIP 3



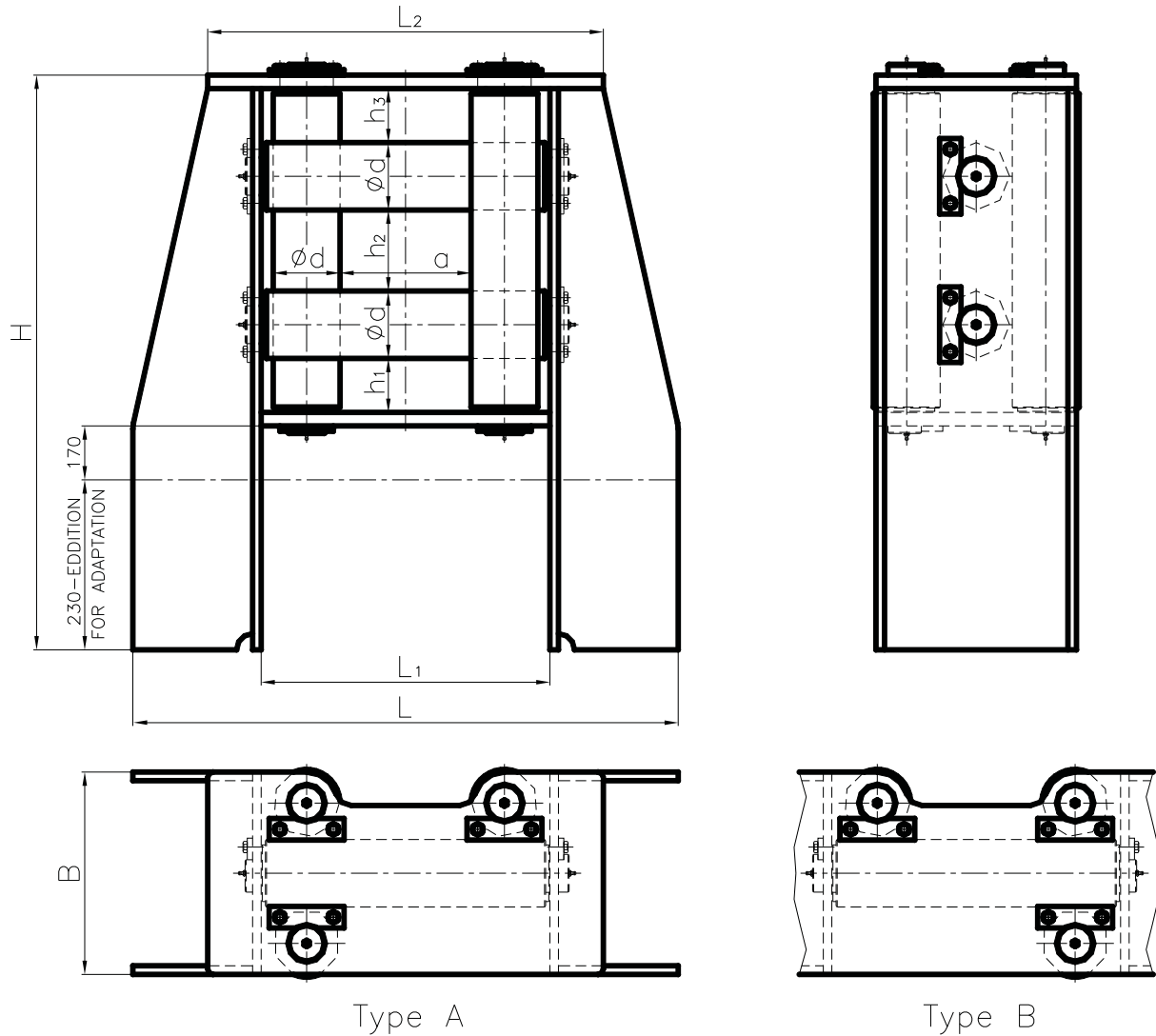
Size	Nominal pull (kN)	a (mm)	B (mm)	$\varnothing d$ (mm)	H (mm)	h_1 (mm)	L (mm)	L_1 (mm)	L_2 (mm)	Weight (kg)
1	120	250	275	125	567	150	852	540	740	358
2	160	300	345	160	664	200	1006	660	860	465
3	250	300	385	180	708	200	1134	700	900	628

FAIRLEAD WITH 4 ROLLERS - TYPE 4 ZJEVACA SA 4 VALJKA - TIP 4



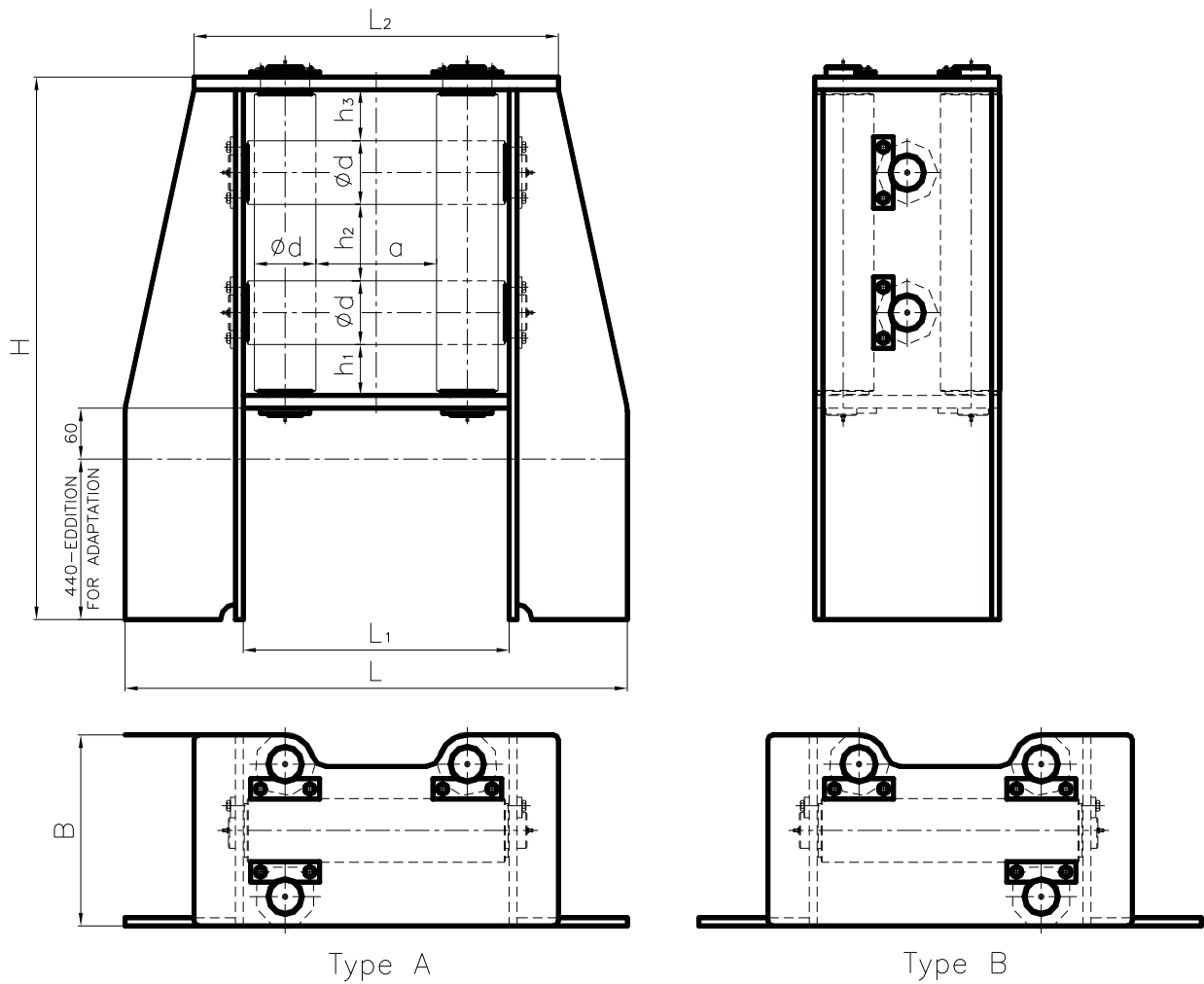
Size	a (mm)	B (mm)	ød (mm)	H (mm)	h ₁ (mm)	L (mm)	L ₁ (mm)	L ₂ (mm)	L ₃ (mm)	Weight (kg)
1	300	385	180	767	200	1134	370	394	900	

FAIRLEAD WITH 5 ROLLERS - TYPE 1 ZJEVAČA SA 5 VALJAKA - TIP 1



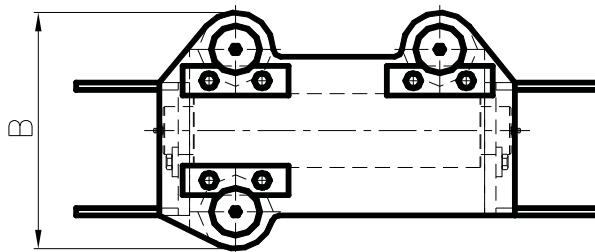
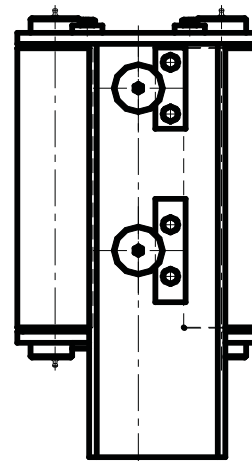
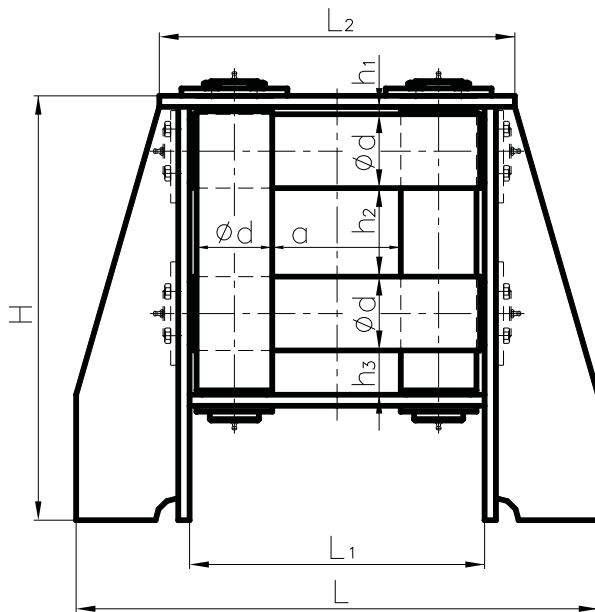
Size	Nominal pull (kN)	a (mm)	B (mm)	ød (mm)	H (mm)	h ₁ (mm)	h ₂ (mm)	h ₃ (mm)	L (mm)	L ₁ (mm)	L ₂ (mm)	Weight (kg)
1A	120	250	375	125	1050	100	150	100	1020	540	740	842
2A	160	300	480	160	1190	120	200	100	1240	660	860	1370
3A	250	300	540	180	1240	140	200	80	1380	700	900	1589
1B	120	250	375	125	1050	100	150	100	1020	540	740	842
2B	160	300	480	160	1190	120	200	100	1240	660	860	1370
3B	250	300	540	180	1240	140	200	80	1380	700	900	1589

FAIRLEAD WITH 5 ROLLERS - TYPE 2 ZJEVAČA SA 5 VALJAKA - TIP 2

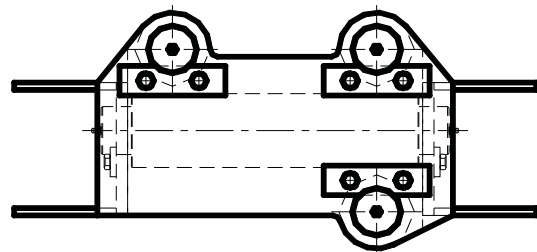


Size	Nominal pull (kN)	a (mm)	B (mm)	ød (mm)	H (mm)	h ₁ (mm)	h ₂ (mm)	h ₃ (mm)	L (mm)	L ₁ (mm)	L ₂ (mm)	Weight (kg)
1A	120	250	375	125	1150	100	150	100	1020	540	740	778
2A	160	300	480	160	1290	120	200	100	1240	660	860	1276
3A	250	300	540	180	1340	140	200	80	1380	700	900	1445
1B	120	250	375	125	1150	100	150	100	1020	540	740	778
2B	160	300	480	160	1290	120	200	100	1240	660	860	1276
3B	250	300	540	180	1340	140	200	80	1380	700	900	1445

FAIRLEAD WITH 5 ROLLERS - TYPE 3 ZJEVAČA SA 5 VALJAKA - TIP 3



Type A

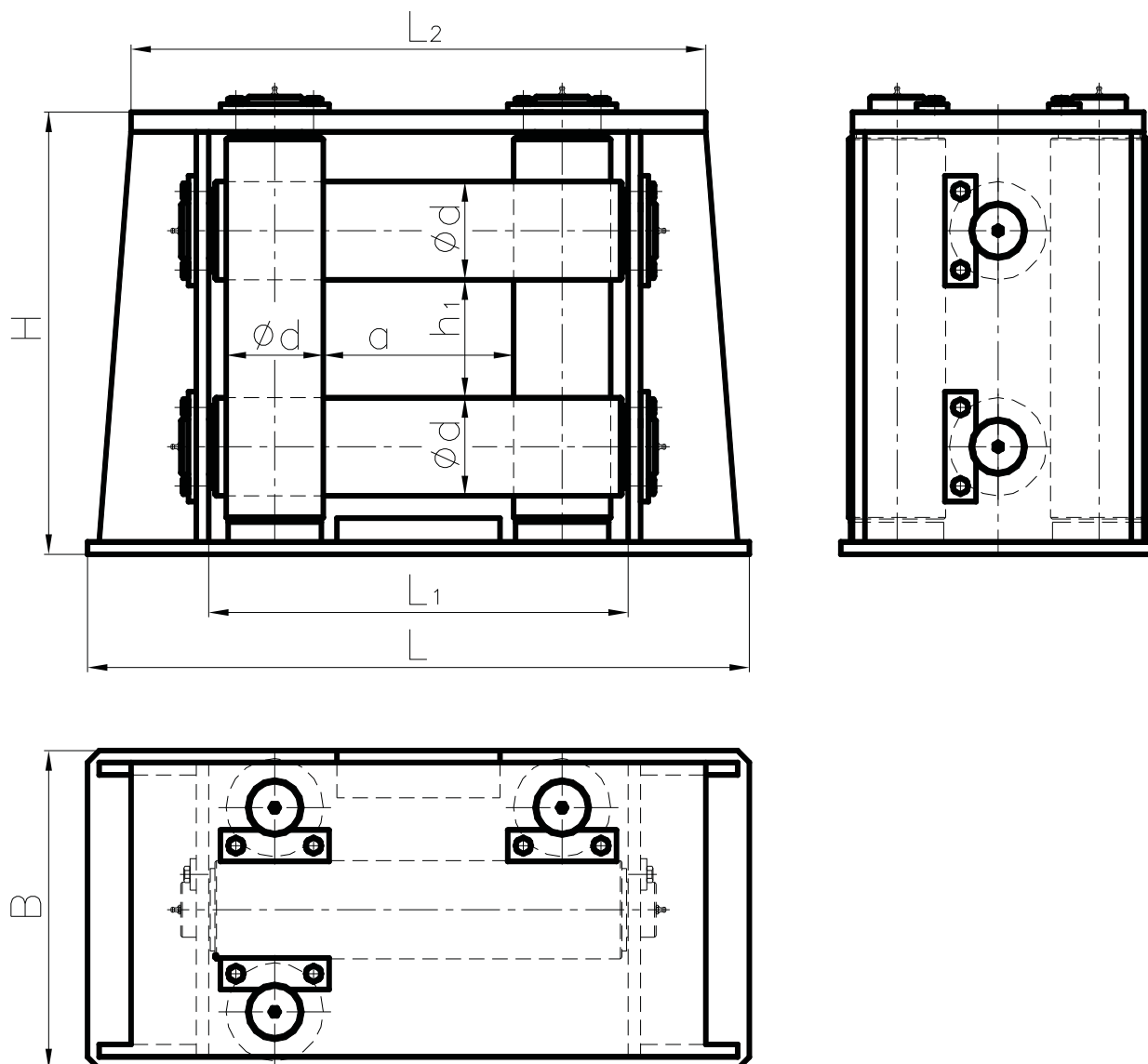


Type B

Size	Nominal pull (kN)	a (mm)	B (mm)	ød (mm)	H (mm)	h ₁ (mm)	h ₂ (mm)	h ₃ (mm)	L (mm)	L ₁ (mm)	L ₂ (mm)	Weight (kg)
A	50	170	320	100	595	10	120	60	690	420	470	180
B	50	170	320	100	595	10	120	60	690	420	470	180

FAIRLEAD WITH 5 ROLLERS - TYPE 4

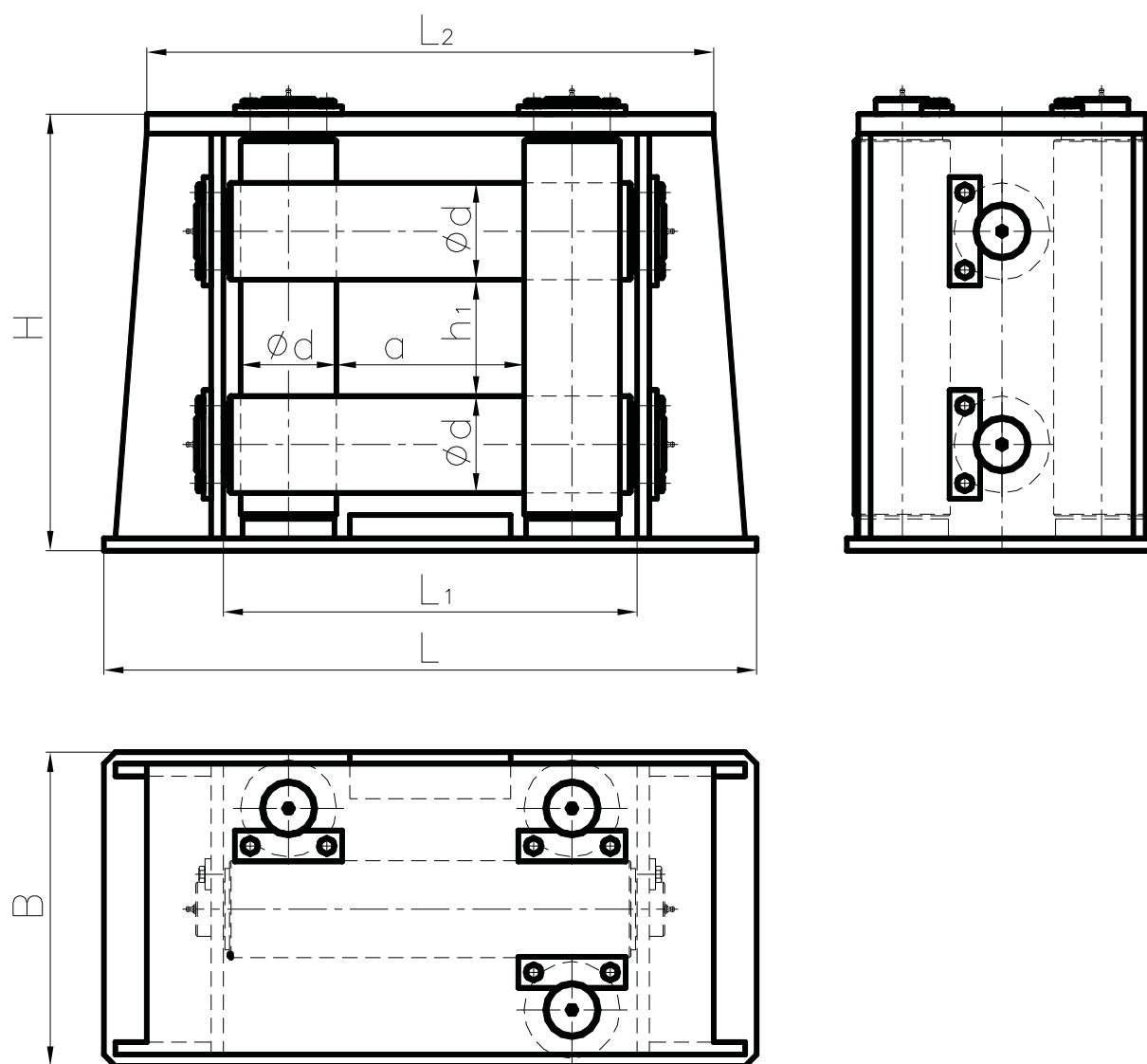
ZJEVAČA SA 5 VALJAKA - TIP 4



Size	Nominal pull (kN)	a (mm)	B (mm)	ød (mm)	H (mm)	h ₁ (mm)	L (mm)	L ₁ (mm)	L ₂ (mm)	Weight (kg)
1	120	250	405	125	567	150	852	540	740	451
2	160	300	510	160	664	200	1006	660	860	602
3	250	300	570	180	708	200	1134	700	900	842

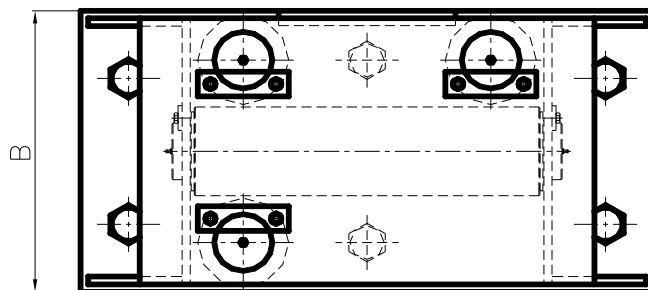
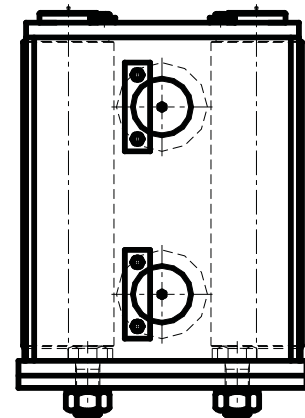
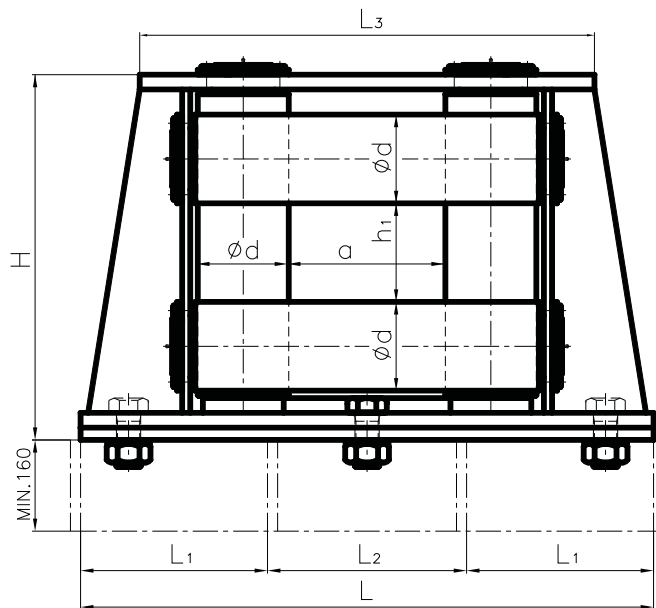
FAIRLEAD WITH 5 ROLLERS - TYPE 5

ZJEVACA SA 5 VALJAKA - TIP 5

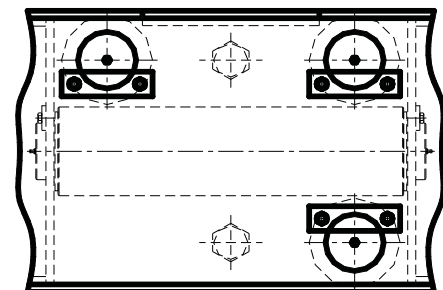


Size	Nominal pull (kN)	a (mm)	B (mm)	ød (mm)	H (mm)	h ₁ (mm)	L (mm)	L ₁ (mm)	L ₂ (mm)	Weight (kg)
1	120	250	405	125	567	150	852	540	740	451
2	160	300	510	160	664	200	1006	660	860	602
3	250	300	570	180	708	200	1134	700	900	842

FAIRLEAD WITH 5 ROLLERS - TYPE 6 ZJEVAČA SA 5 VALJAKA - TIP 6



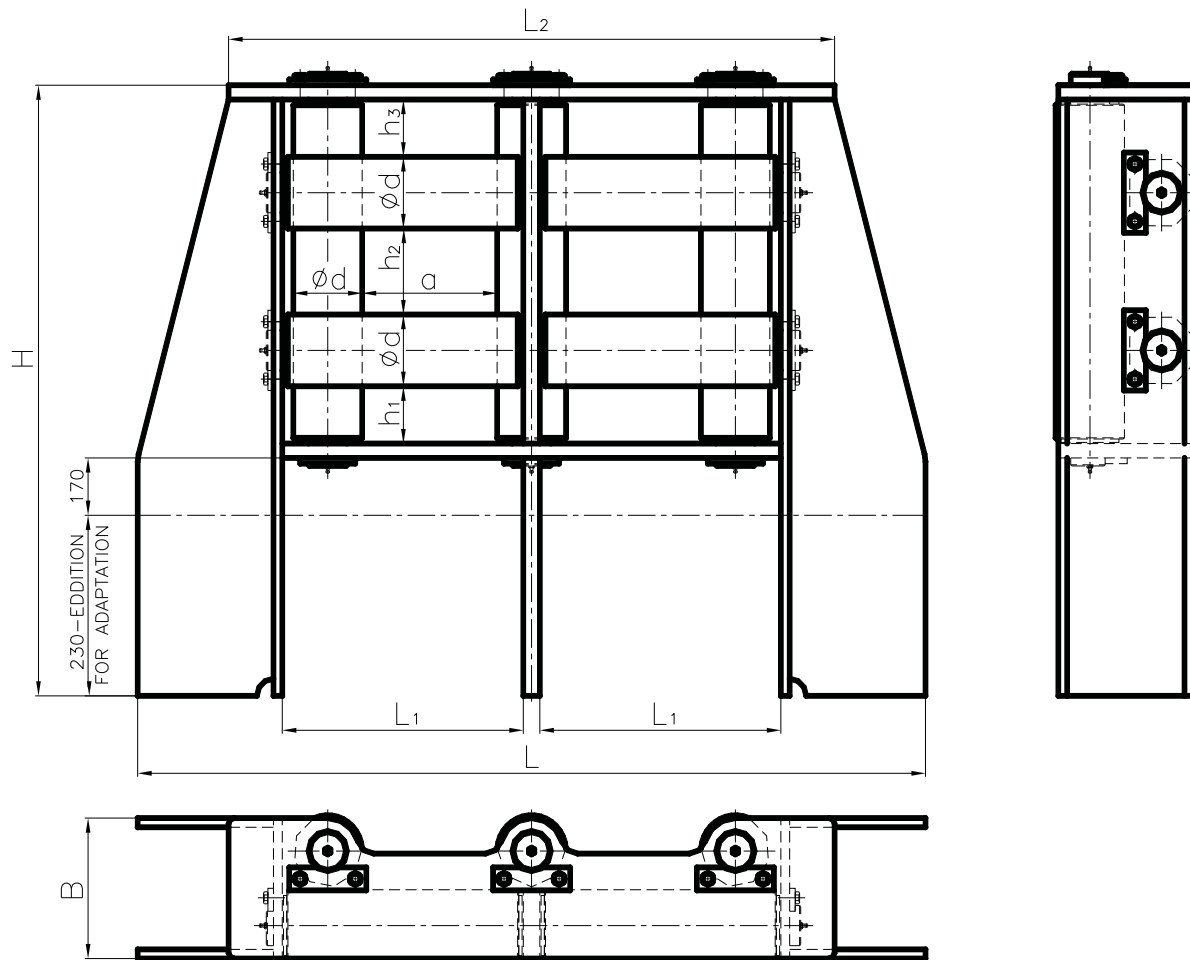
Type A



Type B

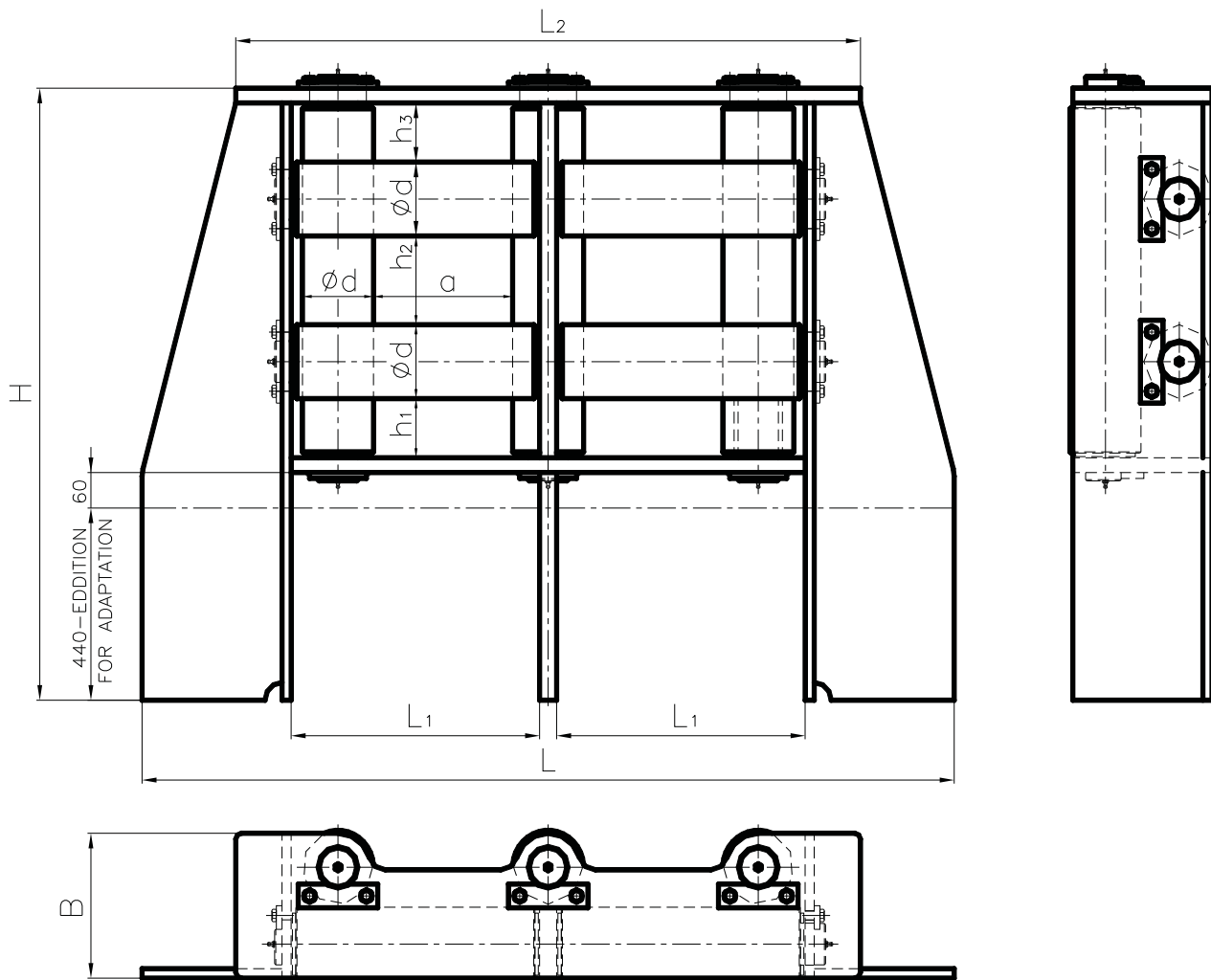
Size	a (mm)	B (mm)	ød (mm)	H (mm)	h ₁ (mm)	L (mm)	L ₁ (mm)	L ₂ (mm)	L ₃ (mm)	Weight (kg)
A	300	570	180	742	200	1134	370	394	900	
B	300	570	180	742	200	1134	370	394	900	

FAIRLEAD WITH 7 ROLLERS - TYPE 1 ZJEVAČA SA 7 VALJAKA - TIP 1



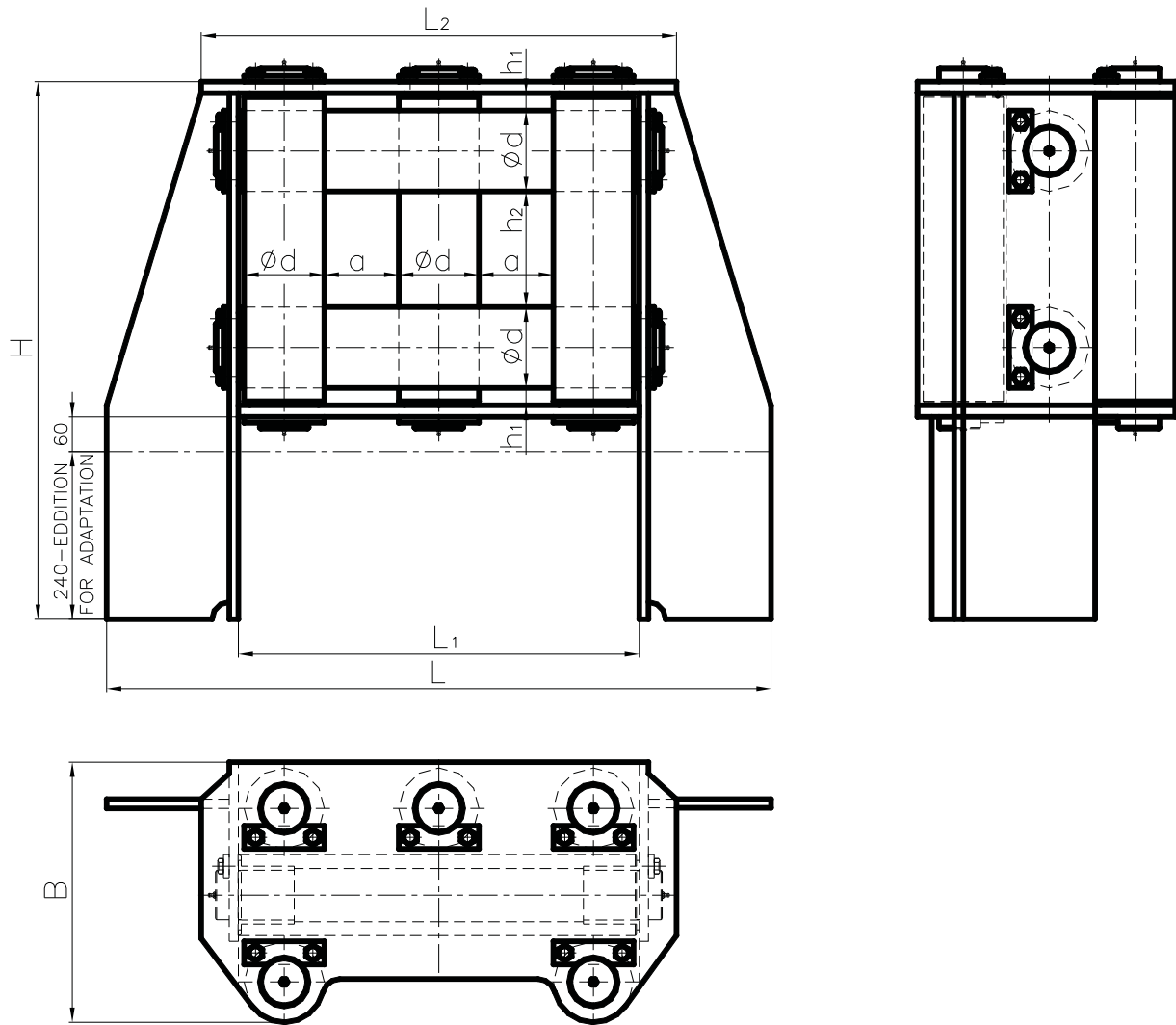
Size	Nominal pull (kN)	a (mm)	B (mm)	ød (mm)	H (mm)	h ₁ (mm)	h ₂ (mm)	h ₃ (mm)	L (mm)	L ₁ (mm)	L ₂ (mm)	Weight (kg)
1	120	250	245	125	1050	100	150	100	1430	437.5	1100	952
2	160	300	315	160	1190	120	200	100	1750	545	1320	1394
3	250	300	355	180	1240	140	200	80	1930	579	1390	1683

FAIRLEAD WITH 7 ROLLERS - TYPE 2 ZJEVAČA SA 7 VALJAKA - TIP 2



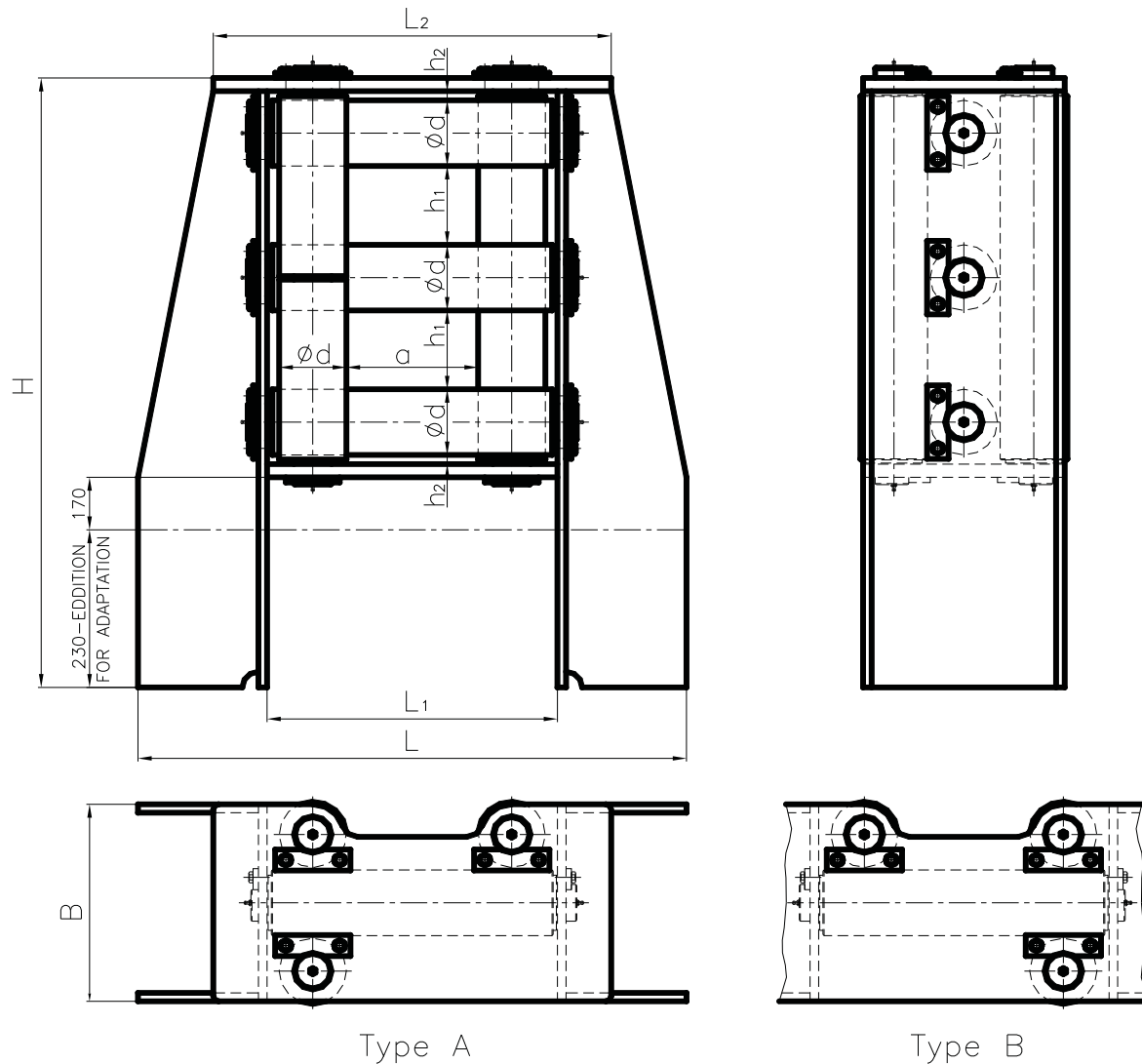
Size	Nominal pull (kN)	a (mm)	B (mm)	ød (mm)	H (mm)	h ₁ (mm)	h ₂ (mm)	h ₃ (mm)	L (mm)	L ₁ (mm)	L ₂ (mm)	Weight (kg)
1	120	250	245	125	1150	100	150	100	1430	437.5	1100	885
2	160	300	315	160	1290	120	200	100	1750	545	1320	1288
3	250	300	355	180	1340	140	200	80	1930	579	1390	1726

FAIRLEAD WITH 7 ROLLERS - TYPE 3 ZJEVACA SA 7 VALJAKA - TIP 3



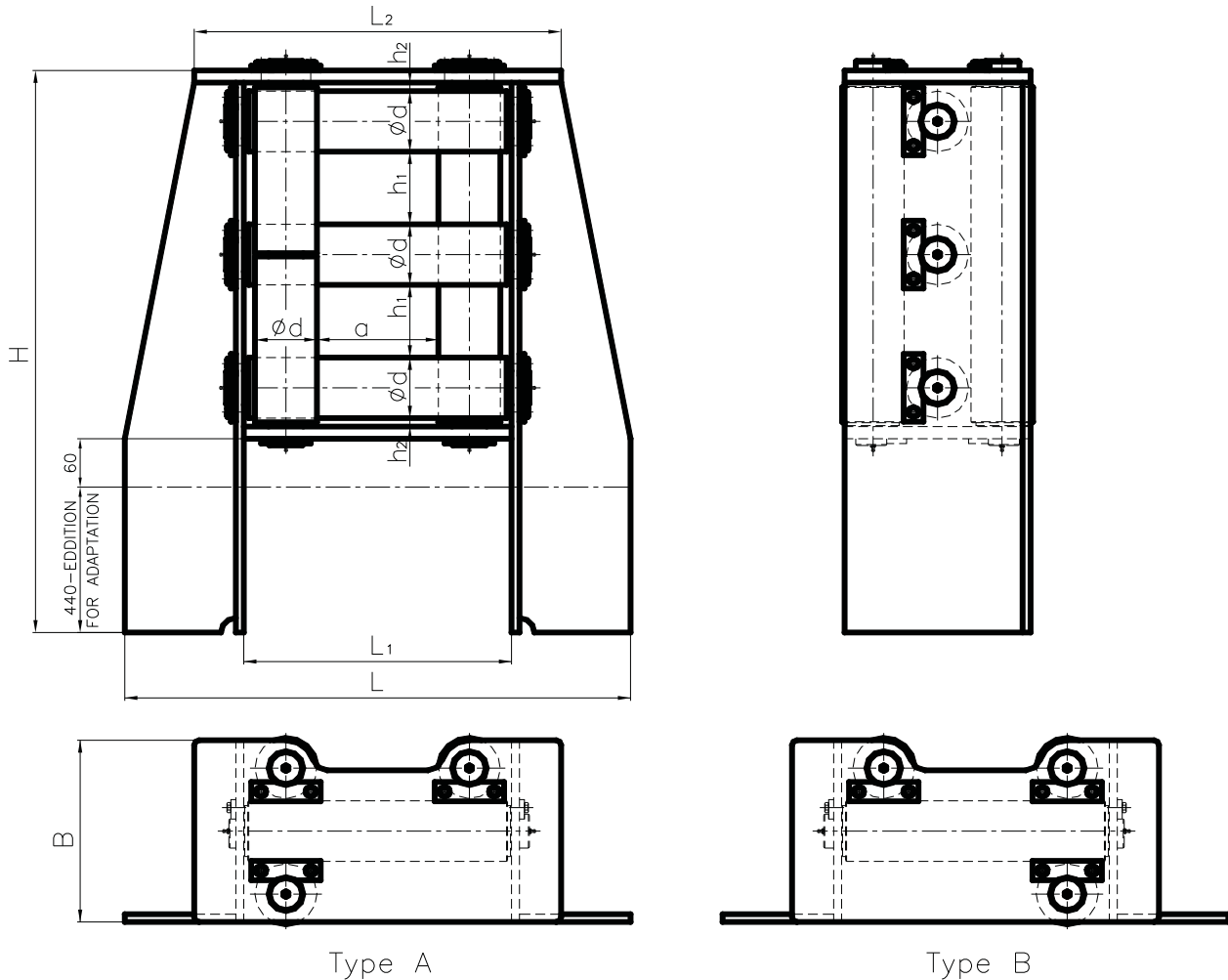
Size	Nominal pull (kN)	a (mm)	B (mm)	ød (mm)	H (mm)	h ₁ (mm)	h ₂ (mm)	L (mm)	L ₁ (mm)	L ₂ (mm)	Weight (kg)
1	270	130	450	140	904	30	200	1160	700	830	686

FAIRLEAD WITH 7 ROLLERS (3 HORIZONTAL ROLLERS) - TYPE 1
ZJEVACA SA 7 VALJAKA (3 HORIZONTALNA VALJKA) - TIP 1



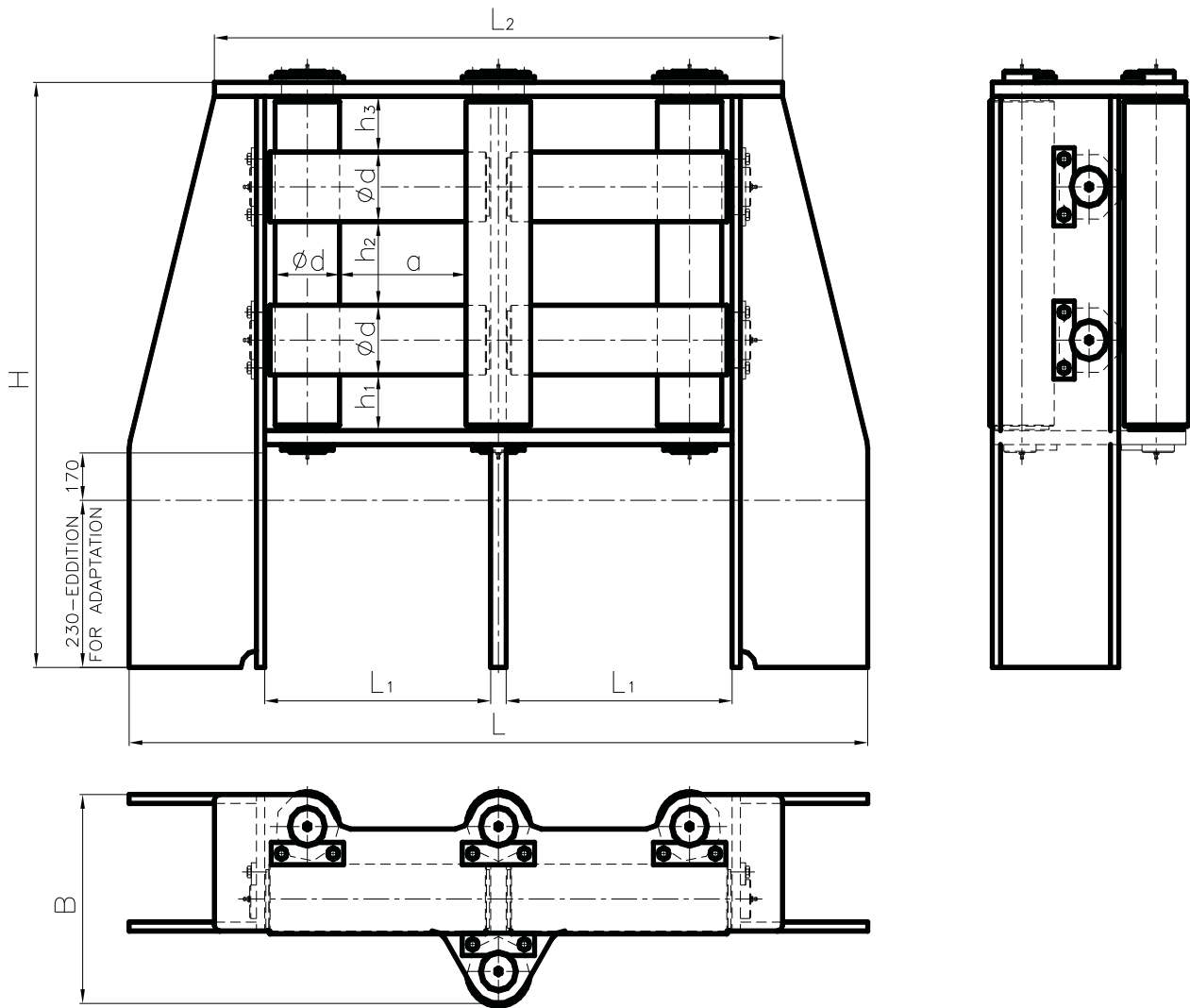
Size	Nominal pull (kN)	a (mm)	B (mm)	ød (mm)	H (mm)	h ₁ (mm)	h ₂ (mm)	L (mm)	L ₁ (mm)	L ₂ (mm)	Weight (kg)
1A	120	250	375	125	1160	150	17.5	1020	540	740	1060
2A	160	300	480	160	1370	200	20	1240	660	860	1510
3A	250	300	540	180	1440	200	20	1380	700	900	1815
1B	120	250	375	125	1160	150	17.5	1020	540	740	1060
2B	160	300	480	160	1370	200	20	1240	660	860	1510
3B	250	300	540	180	1440	200	20	1380	700	900	1815

FAIRLEAD WITH 7 ROLLERS (3 HORIZONTAL ROLLERS) - TYPE 2
ZJEVACA SA 7 VALJAKA (3 HORIZONTALNA VALJKA) - TIP 2



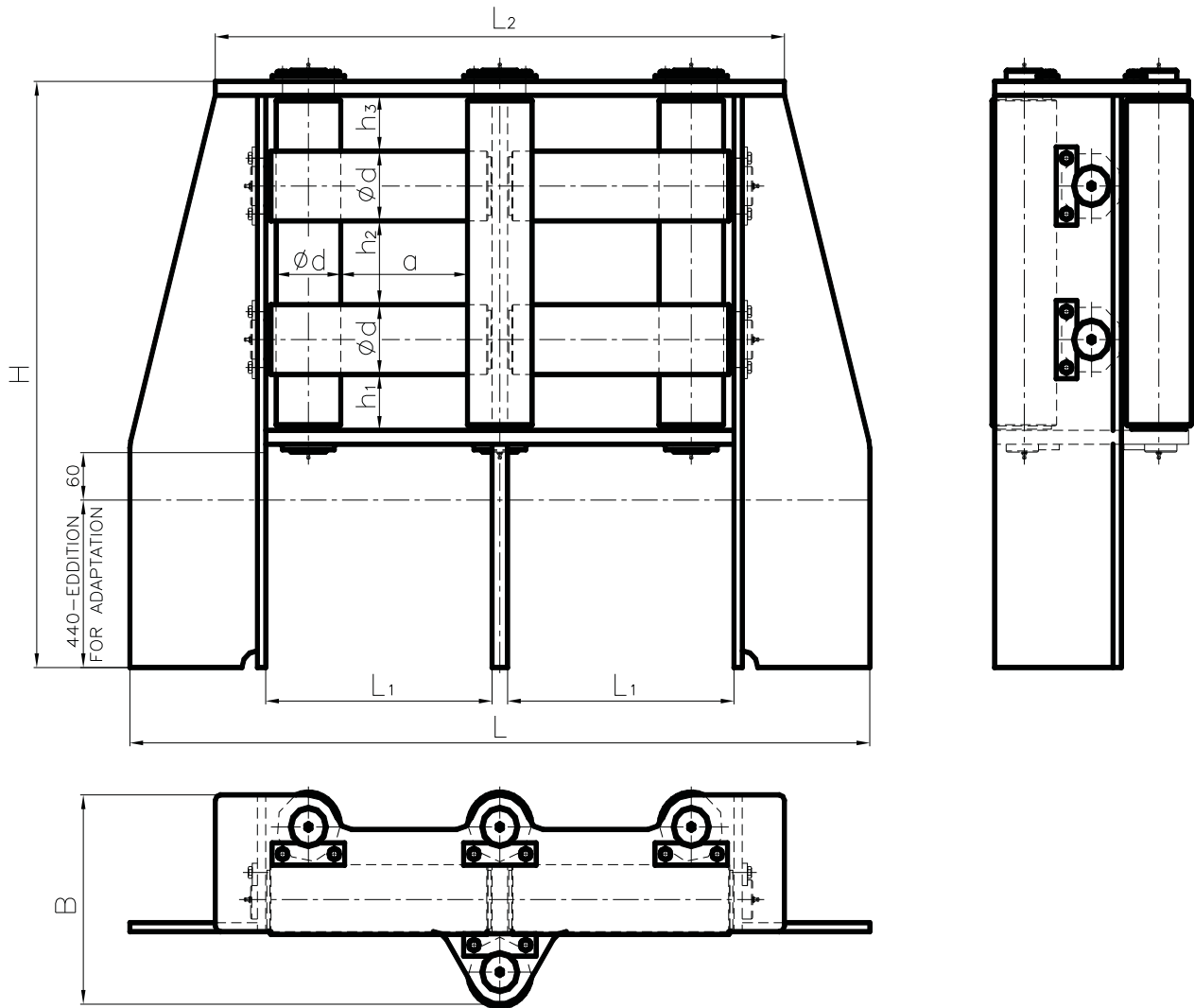
Size	Nominal pull (kN)	a (mm)	B (mm)	ød (mm)	H (mm)	h ₁ (mm)	h ₂ (mm)	L (mm)	L ₁ (mm)	L ₂ (mm)	Weight (kg)
1A	120	250	375	125	1260	150	17.5	1020	540	740	1020
2A	160	300	480	160	1470	200	20	1240	660	860	1436
3A	250	300	540	180	1540	200	20	1380	700	900	1707
1B	120	250	375	125	1260	150	17.5	1020	540	740	1020
2B	160	300	480	160	1470	200	20	1240	660	860	1436
3B	250	300	540	180	1540	200	20	1380	700	900	1707

FAIRLEAD WITH 8 ROLLERS - TYPE 1 ZJEVACA SA 8 VALJAKA - TIP 1



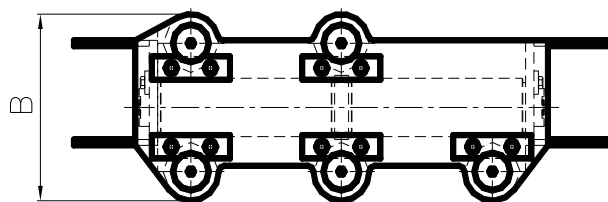
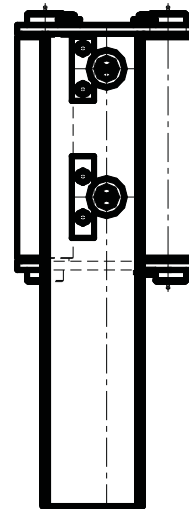
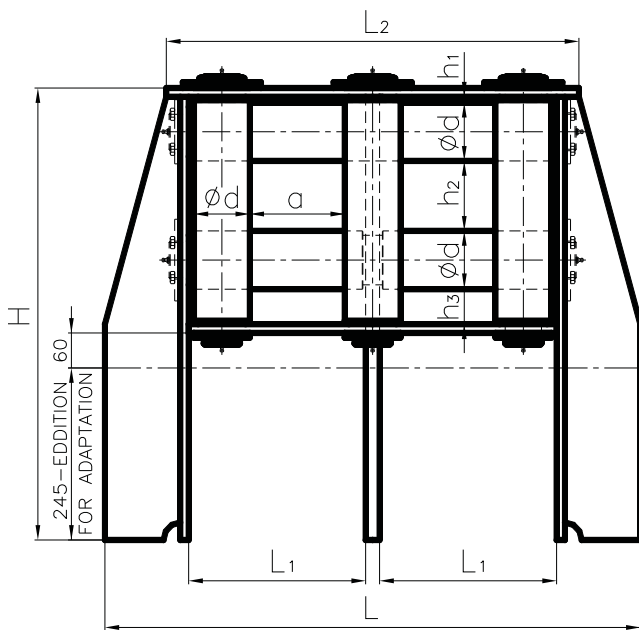
Size	Nominal pull (kN)	a (mm)	B (mm)	ød (mm)	H (mm)	h ₁ (mm)	h ₂ (mm)	h ₃ (mm)	L (mm)	L ₁ (mm)	L ₂ (mm)	Weight (kg)
1	120	250	375	125	1050	100	150	100	1430	437.5	1100	952
2	160	300	480	160	1190	120	200	100	1750	545	1320	1350
3	250	300	540	180	1240	140	200	80	1930	579	1390	1810

FAIRLEAD WITH 8 ROLLERS - TYPE 2 ZJEVACA SA 8 VALJAKA - TIP 2

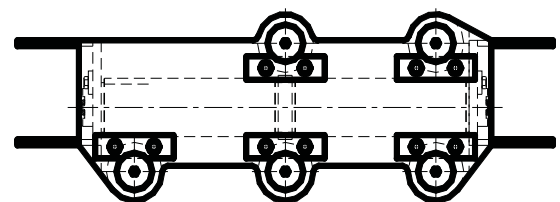


Size	Nominal pull (kN)	a (mm)	B (mm)	ød (mm)	H (mm)	h ₁ (mm)	h ₂ (mm)	h ₃ (mm)	L (mm)	L ₁ (mm)	L ₂ (mm)	Weight (kg)
1	120	250	375	125	1150	100	150	100	1430	437.5	1100	905
2	160	300	480	160	1290	120	200	100	1750	545	1320	1290
3	250	300	540	180	1340	140	200	80	1930	579	1390	1720

FAIRLEAD WITH 9 ROLLERS - TYPE 1 ZJEVACA SA 9 VALJAKA - TIP 1



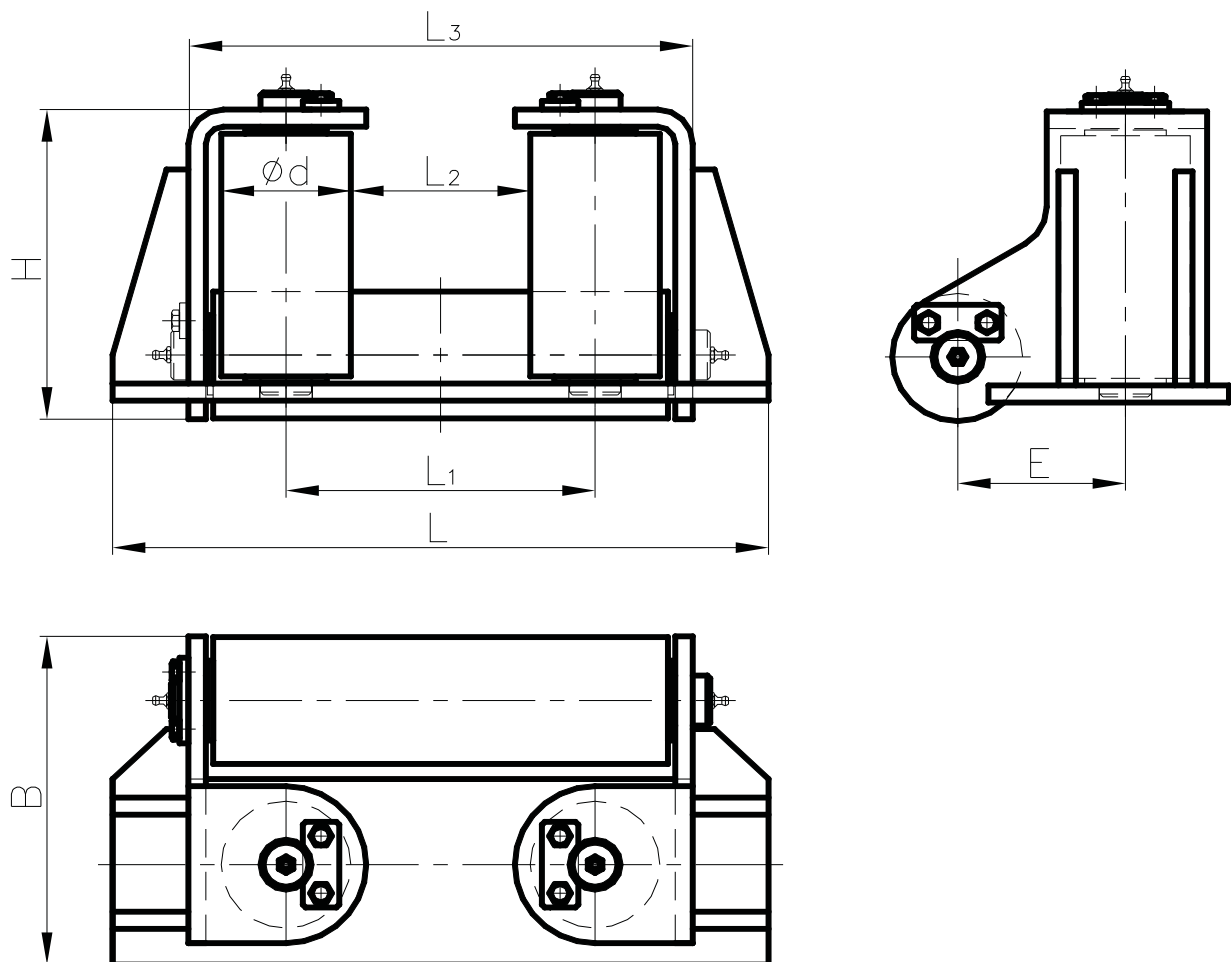
Type A



Type B

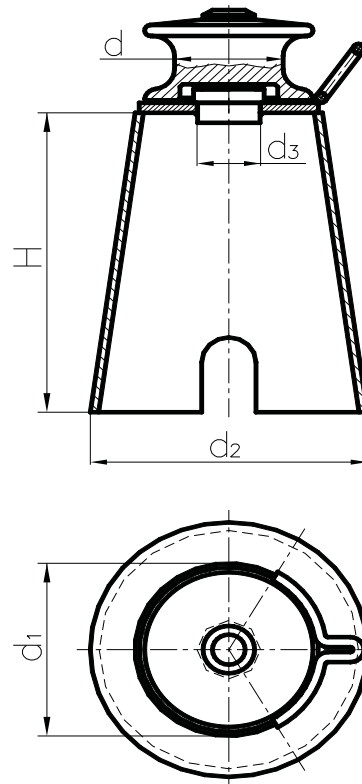
Size	Nominal pull (kN)	a (mm)	B (mm)	ød (mm)	H (mm)	h ₁ (mm)	h ₂ (mm)	h ₃ (mm)	L (mm)	L ₁ (mm)	L ₂ (mm)	Weight (kg)
A	50	170	320	100	745	10	120	60	959	317	739	293
B	50	170	320	100	745	10	120	60	959	317	739	293

GUIDE WITH 3 ROLLERS VODILICA SA 3 VALJKA



Size	ød (mm)	L (mm)	L ₁ (mm)	L ₂ (mm)	L ₃ (mm)	E (mm)	H (mm)	B (mm)	Weight (kg)
1	88.9	450	212	123	346	115	217	230	50

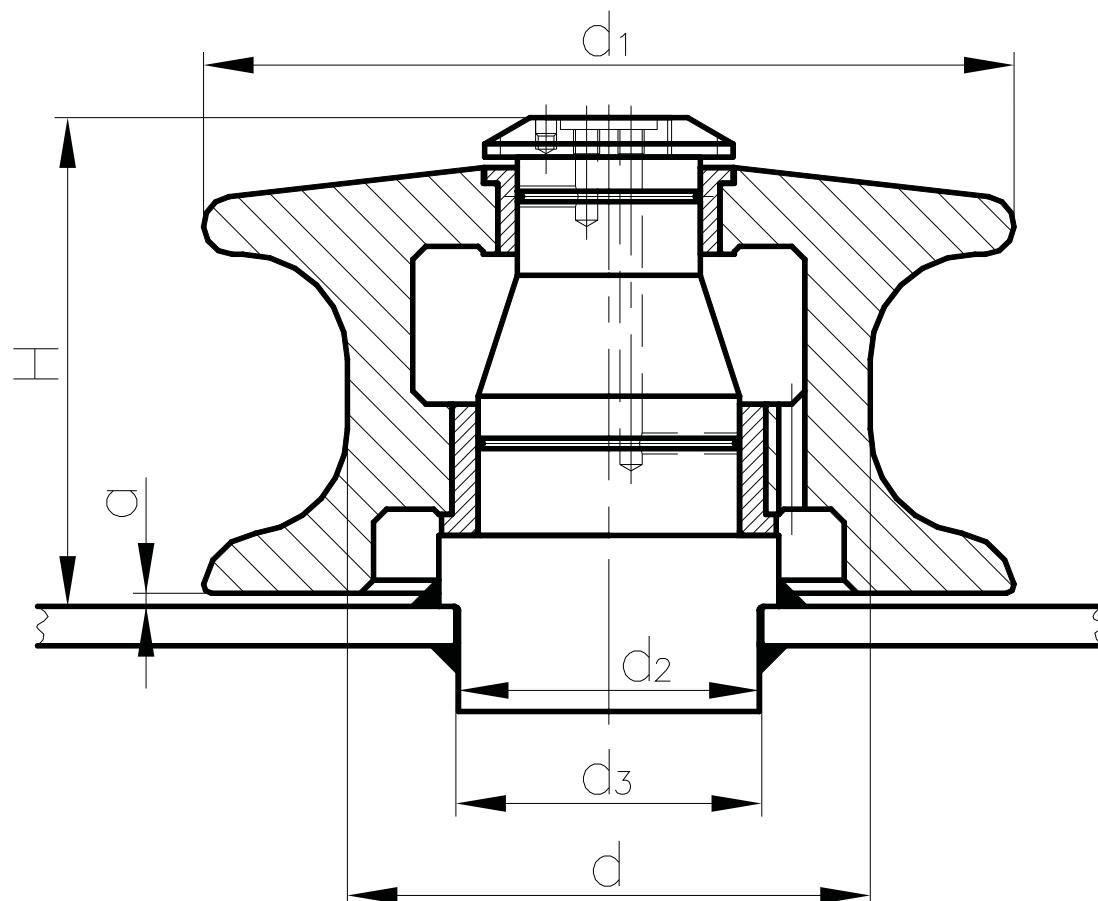
WARPING ROLLER WITH FOUNDATION VALJAK SA POSTOLJEM



h	600	700	800	900	1000	1100	1200	1300	1400
Size	Weight (kg)								
150	87	104	122	142	163	185	209	233	258
200	108	128	149	172	196	220	251	274	302
250	132	155	179	204	231	258	287	317	348
300	153	178	204	232	261	291	322	354	387
350	172	199	228	258	289	322	355	390	426
400	194	224	255	287	321	355	391	428	467
450	220	253	287	322	358	395	434	474	515

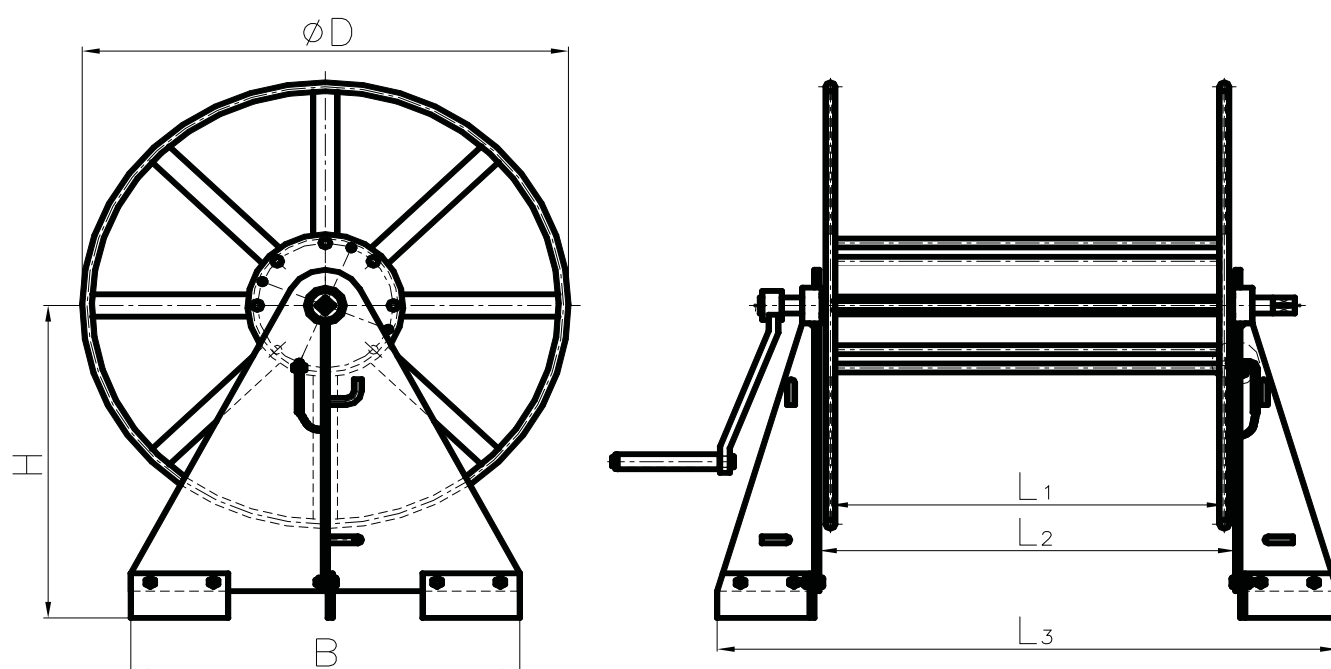
h			600	700	800	900	1000	1100	1200	1300	1400	ød ₃ (mm)
Size ød (mm)	Nominal pull (kN)	ød ₁ (mm)	ød ₂ (mm)									
150	155	260	440	470	500	530	560	590	620	650	680	102
200	195	330	510	540	570	600	630	660	690	720	750	117
250	280	400	580	610	640	670	700	730	760	790	820	137
300	330	460	640	670	700	730	760	790	820	850	880	152
350	440	520	700	730	760	790	820	850	880	910	940	172
400	570	580	760	790	820	850	880	910	940	970	1000	182
450	630	650	830	860	900	920	950	980	1010	1040	1070	207

WARPING ROLLER VERTIKALNI VALJAK



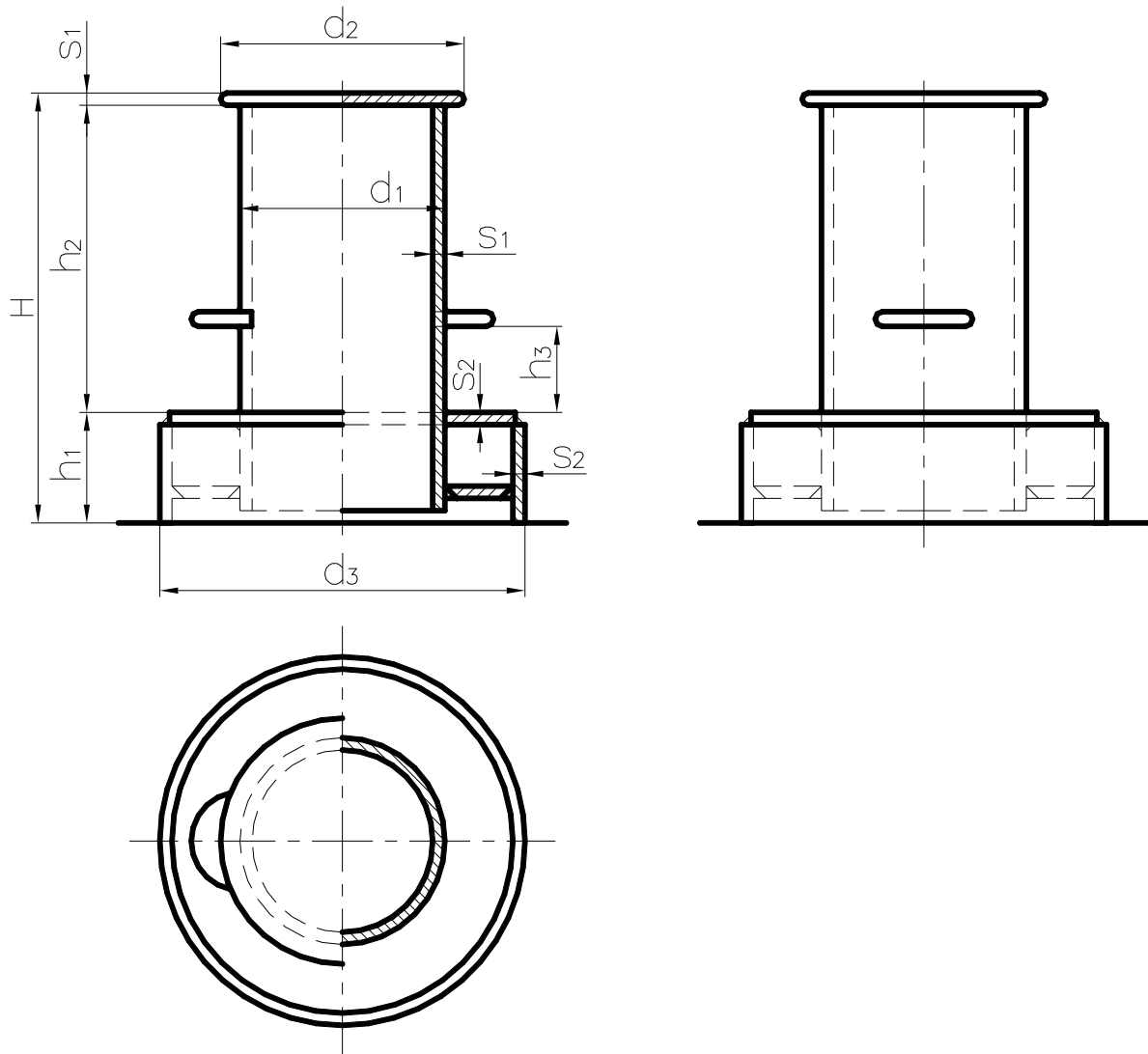
Size	Nominal pull (kN)	$\varnothing d$ (mm)	$\varnothing d_1$ (mm)	$\varnothing d_2$ (mm)	$\varnothing d_3$ (mm)	H (mm)	a (mm)	Weight (kg)
150	155	150	240	100	102	154	5	25
200	195	200	310	115	117	186	5	50
250	280	250	380	135	137	230	6	90
300	330	300	440	150	152	250	7	127
350	440	350	500	170	172	271	7	169
400	570	400	560	180	182	307	7	253
450	630	450	630	205	207	316	7	310

ROPE WINDING WINCH VITLO ZA NAMATANJE U ETA



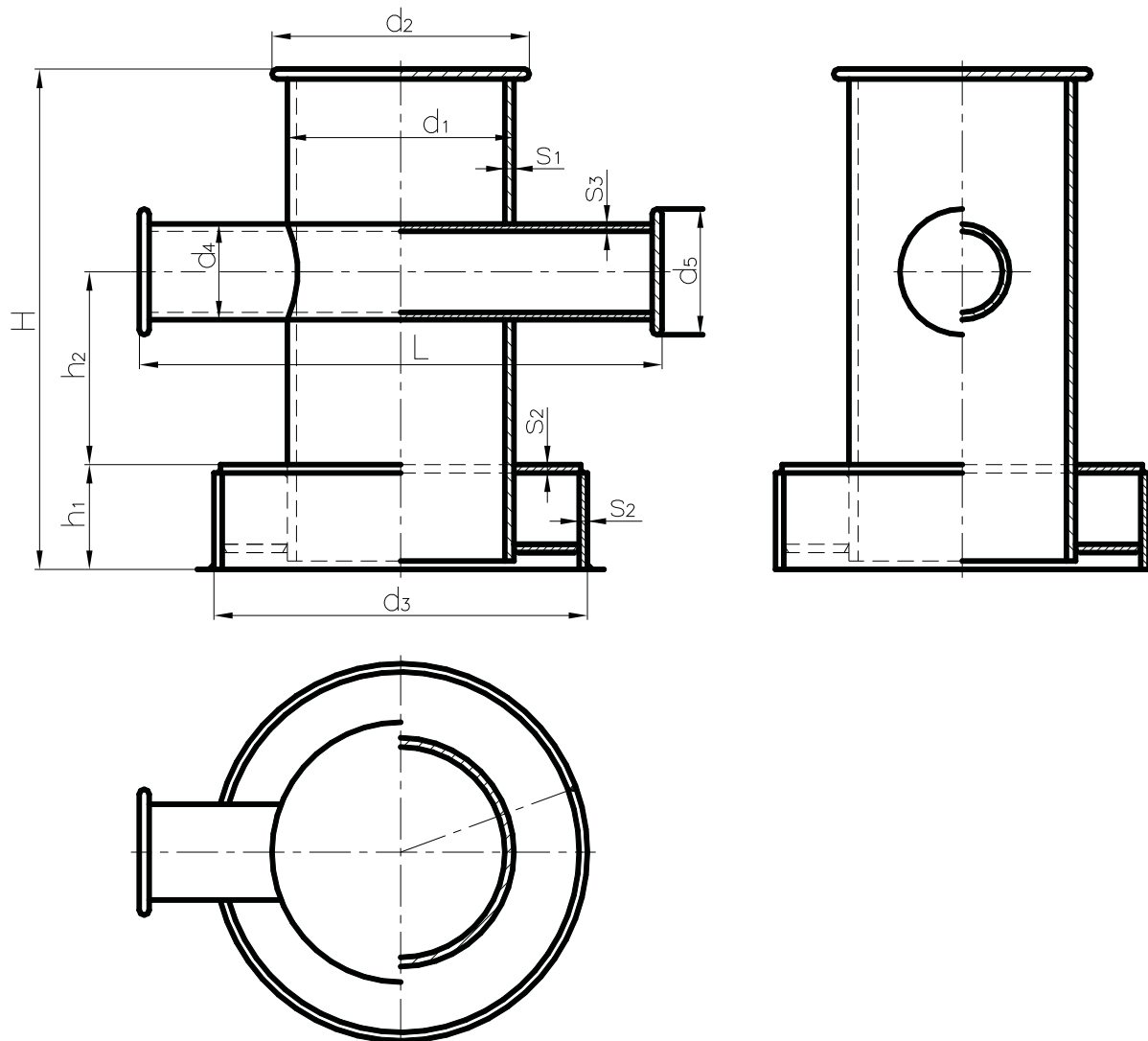
Size	L ₁ (mm)	L ₂ (mm)	L ₃ (mm)	∅D (mm)	B (mm)	H (mm)	Weight (kg)
1	800	856	1276	1000	800	700	130
2	1100	1156	1576	1000	800	700	135
3	1300	1356	1776	1000	800	700	140

SINGLE BOLLARD JEDNOSTRUKA BITVA



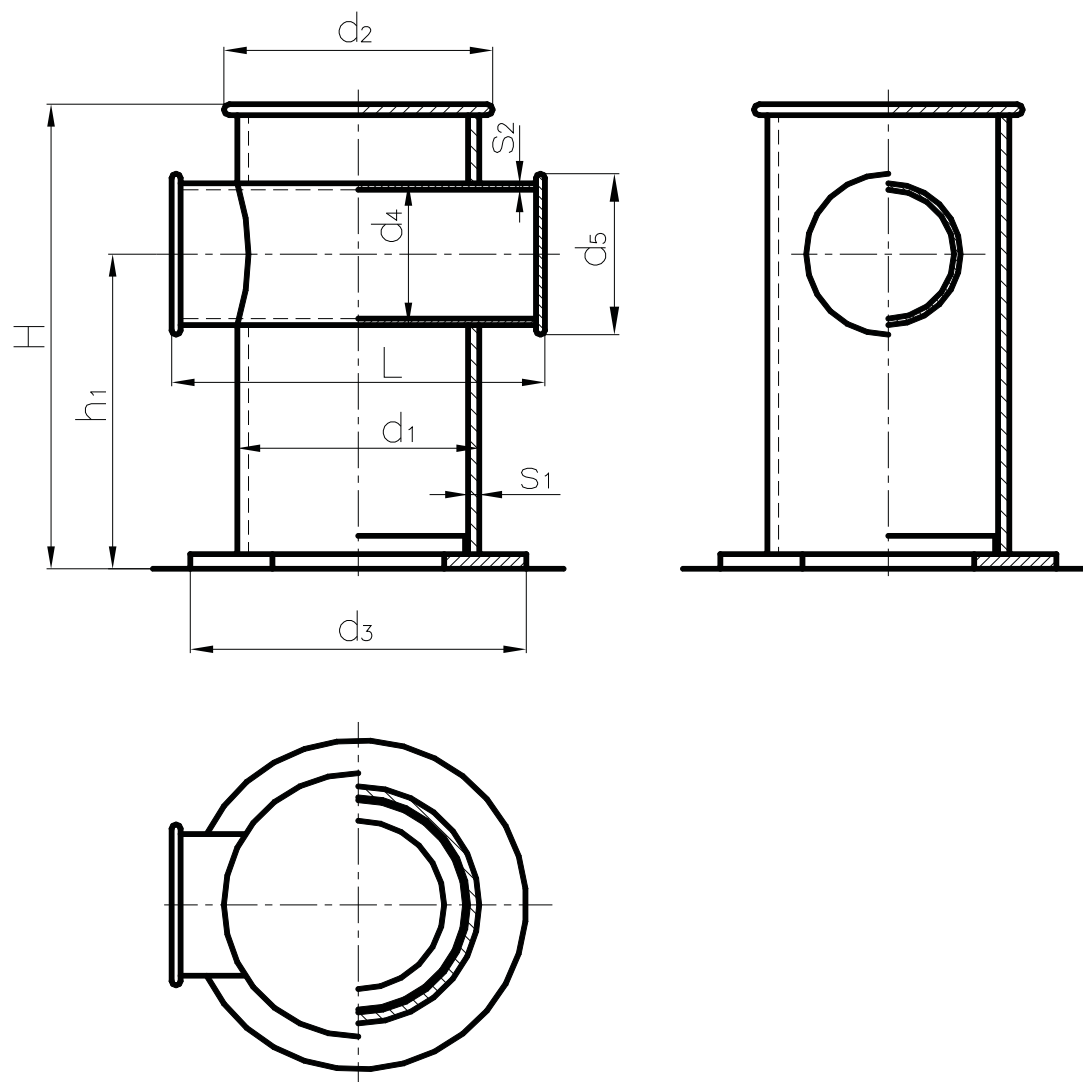
Size	Nominal pull (kN)	ød ₁ (mm)	ød ₂ (mm)	ød ₃ (mm)	H (mm)	h ₁ (mm)	h ₂ (mm)	h ₃ (mm)	s ₁ (mm)	s ₂ (mm)	Weight (kg)
100	30	114.3	150	230	235	75	150	-	10	8	13
125	40	139.7	170	260	280	80	190	-	10	8	18
160	50	168.3	200	300	350	90	250	-	10	10	28
200	80	219.1	250	340	410	100	300	80	10	10	43
250	120	273	310	450	516	125	380	90	11	10	74
315	200	323.9	360	550	645	150	480	100	15	13	144

CROSS BOLLARD - TYPE 1 JEDNOKRI NA BITVA - TIP 1



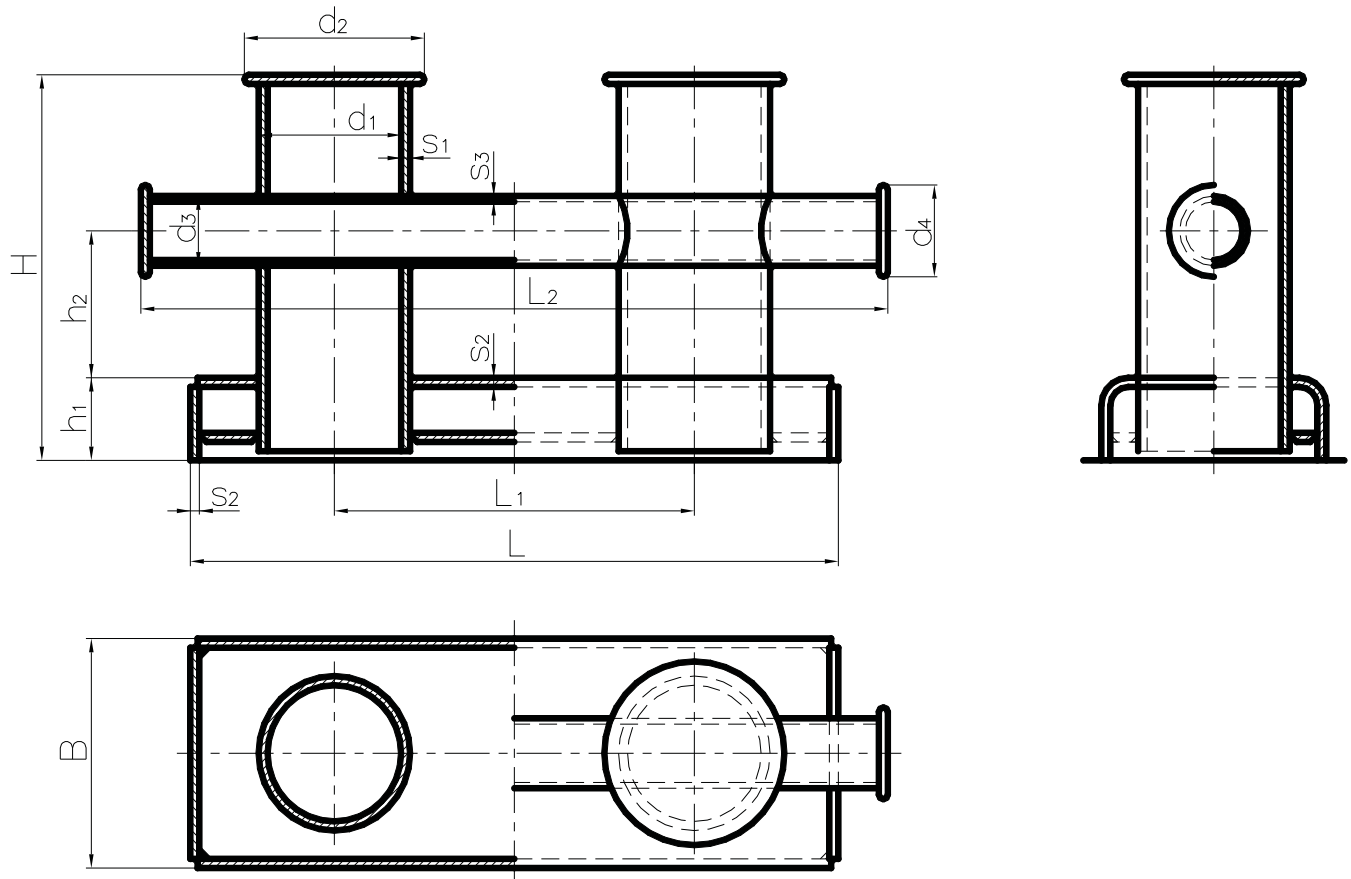
Size	Nominal pull (kN)	$\varnothing d_1$ (mm)	$\varnothing d_2$ (mm)	$\varnothing d_3$ (mm)	$\varnothing d_4$ (mm)	$\varnothing d_5$ (mm)	H (mm)	h_1 (mm)	h_2 (mm)	L (mm)	s_1 (mm)	s_2 (mm)	s_3 (mm)	Weight (kg)
100	30	114.3	150	230	48.3	70	285	75	100	245	10	8	6.3	15
125	40	139.7	170	260	60.3	80	350	80	130	315	10	8	6.3	21
160	50	168.3	200	300	76.1	100	420	90	160	410	10	10	6.3	33
200	80	219.1	250	340	88.9	120	510	100	200	490	10	10	8.8	51
250	120	273	310	450	114.3	150	596	125	230	630	11	10	8.8	87
315	200	323.9	360	550	139.7	170	785	150	310	820	15	13	8.8	165
400	320	406.4	450	700	193.7	230	973	175	390	1020	18	16	8.8	307

CROSS BOLLARD - TYPE 2 JEDNOKRI NA BITVA - TIP 2



Size	Nominal pull (kN)	$\varnothing d_1$ (mm)	$\varnothing d_2$ (mm)	$\varnothing d_3$ (mm)	$\varnothing d_4$ (mm)	$\varnothing d_5$ (mm)	H (mm)	h_1 (mm)	L (mm)	s_1 (mm)	s_2 (mm)	Weight (kg)
300	250	324	360	450	193.7	220	635	430	500	15	8.8	122
400	400	406	450	530	193.7	220	640	430	600	20	8.8	187

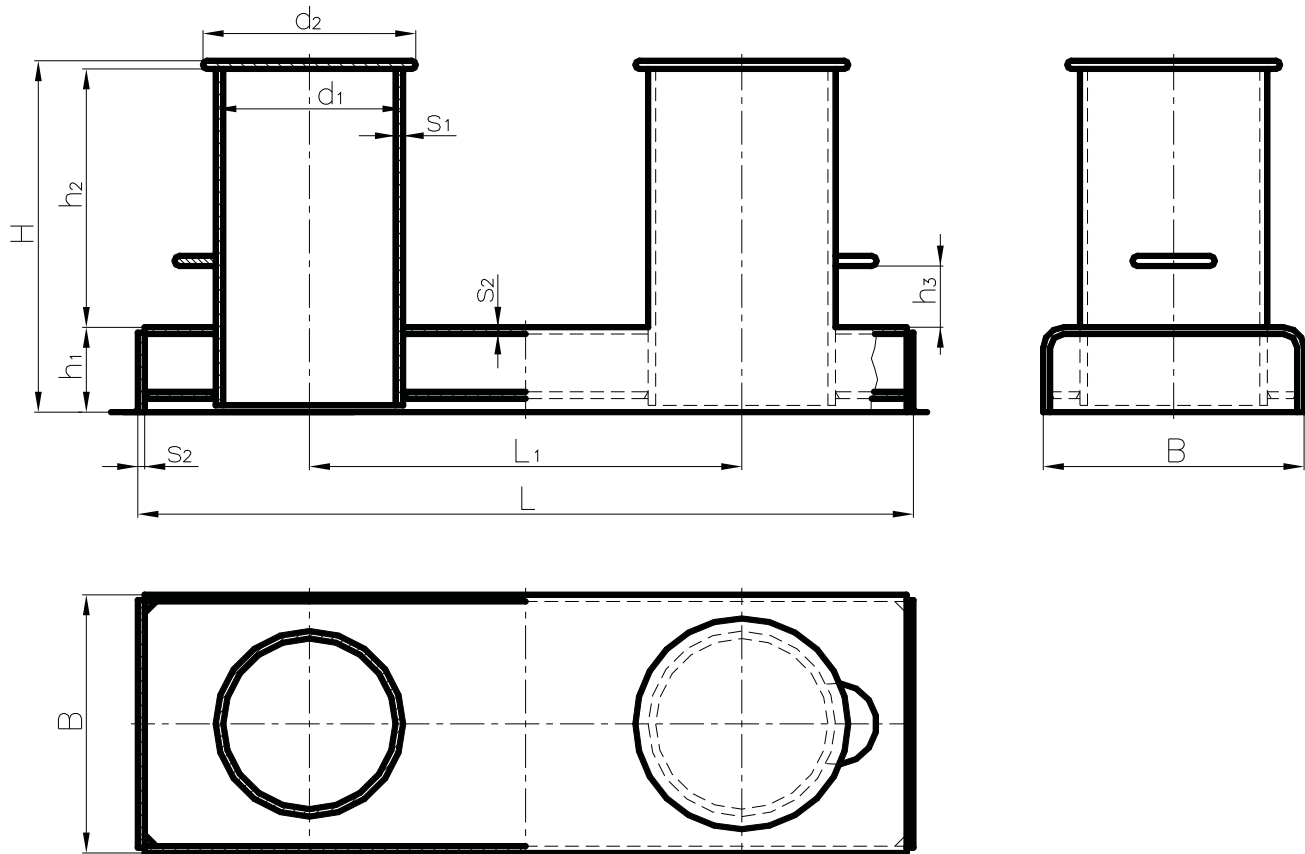
DOUBLE CROSS BOLLARD DVOKRI NA BITVA



Size	Nominal pull (kN)	$\varnothing d_1$ (mm)	$\varnothing d_2$ (mm)	$\varnothing d_3$ (mm)	$\varnothing d_4$ (mm)	H (mm)	h_1 (mm)	h_2 (mm)	L (mm)	L_1 (mm)	L_2 (mm)	B (mm)	s_1 (mm)	s_2 (mm)	s_3 (mm)	Weight (kg)
100	30	114.3	150	48.3	70	285	75	100	450	250	495	150	10	8	6.3	28
125	40	139.7	170	60.3	80	350	80	130	560	315	630	190	10	8	6.3	42
160	50	168.3	200	76.1	100	420	90	160	720	400	810	250	10	10	6.3	73
200	80	219.1	250	88.9	120	510	100	200	900	500	990	300	10	10	8.8	114
250	120	273	310	114.3	150	596	125	230	1130	630	1260	380	11	10	8.8	191
315	200	323.9	360	139.7	170	785	150	310	1430	800	1620	480	15	12	8.8	363
400	320	406.4	450	193.7	230	973	175	390	1800	1000	2024	600	18	16	8.8	697

BOLLARD - TYPE 1

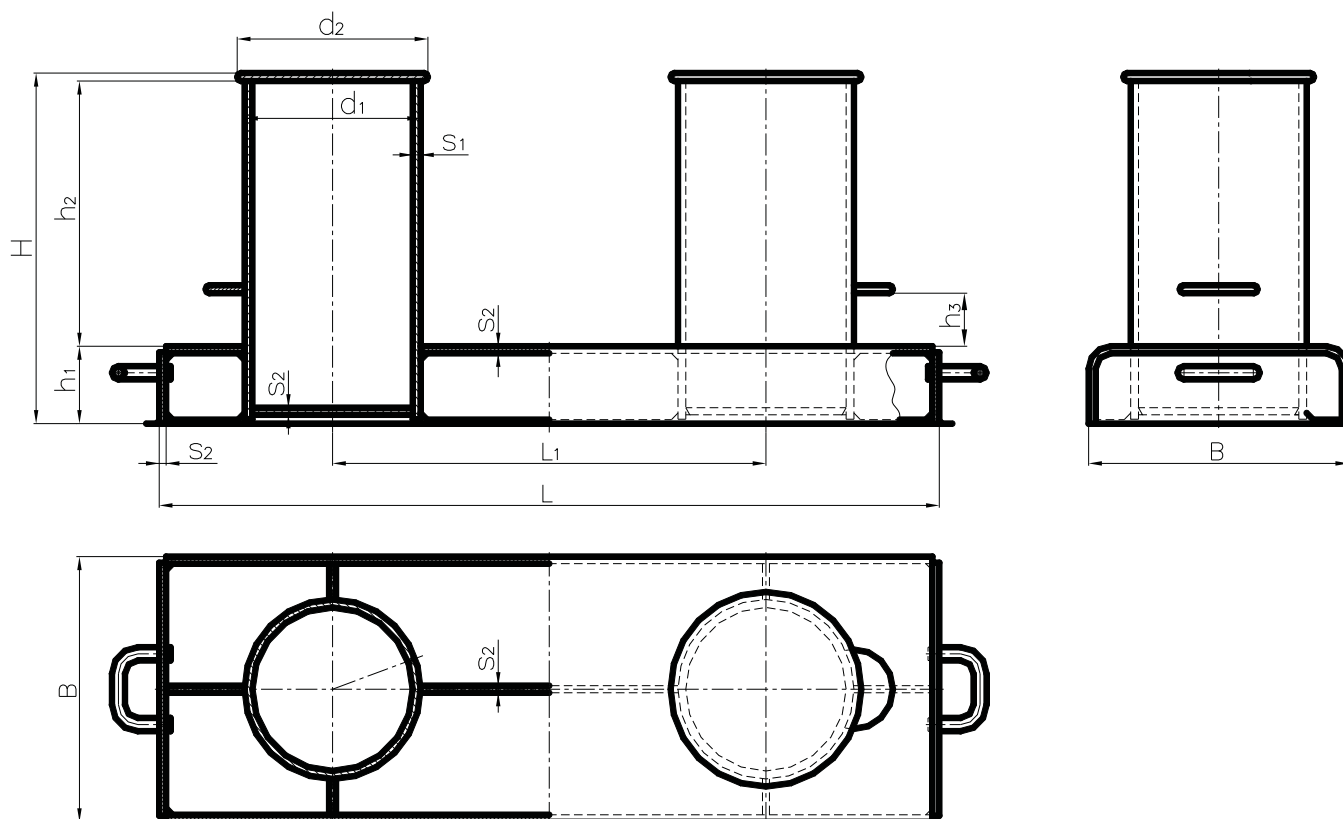
BITVA - TIP 1



Size	Nominal pull (kN)	$\varnothing d_1$ (mm)	$\varnothing d_2$ (mm)	H (mm)	h_1 (mm)	h_2 (mm)	h_3 (mm)	L (mm)	L_1 (mm)	B (mm)	s_1 (mm)	s_2 (mm)	Weight (kg)
100	30	114.3	150	235	75	150	-	450	250	150	10	8	25
125	40	139.7	170	280	80	190	-	560	315	190	10	8	37
160	50	168.3	200	350	90	250	-	720	400	250	10	10	65
200	80	219.1	250	410	100	300	80	900	500	300	10	10	99
250	120	273	310	516	125	380	90	1130	630	380	11	10	166

BOLLARD - TYPE 2

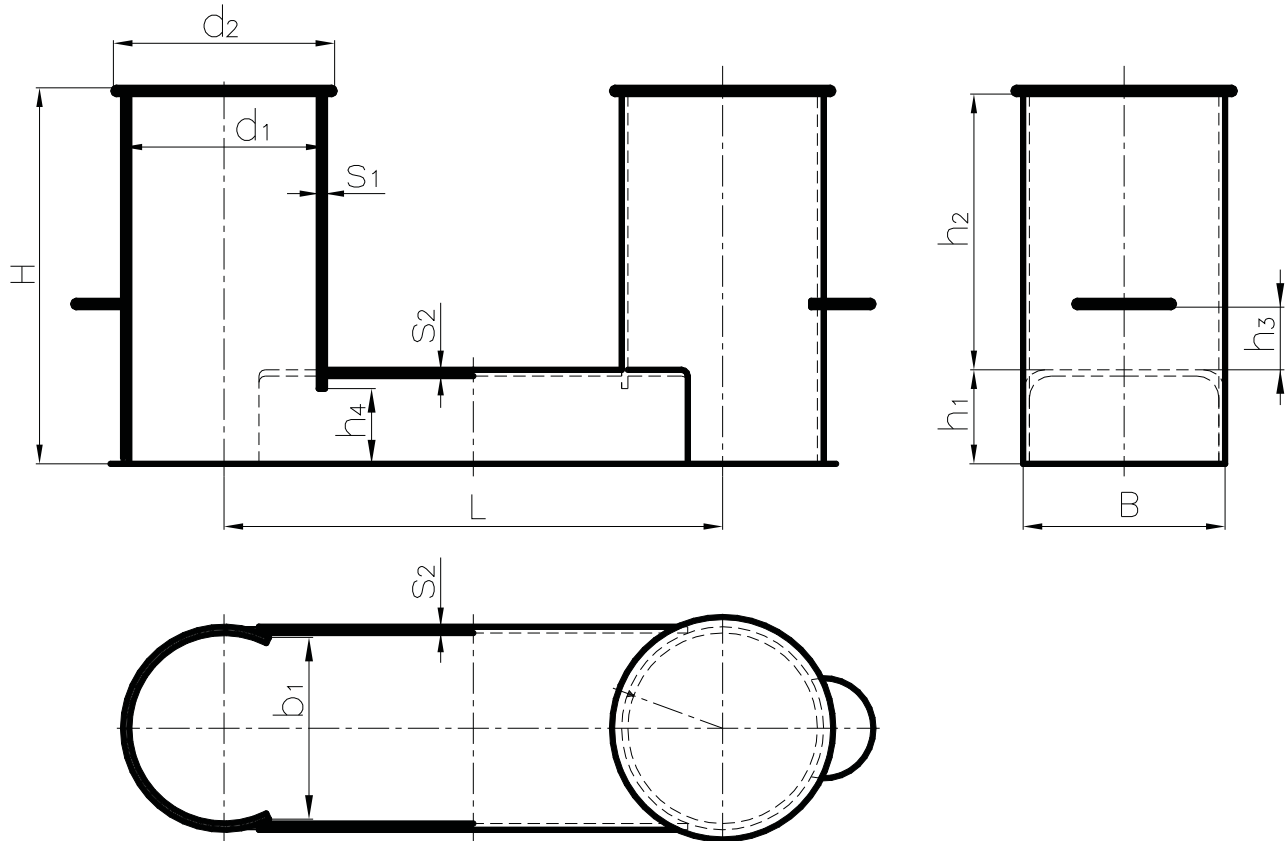
BITVA - TIP 2



Size	Nominal pull (kN)	$\varnothing d_1$ (mm)	$\varnothing d_2$ (mm)	H (mm)	h_1 (mm)	h_2 (mm)	h_3 (mm)	L (mm)	L_1 (mm)	B (mm)	s_1 (mm)	s_2 (mm)	Weight (kg)
315	200	324	355	645	150	480	100	1430	800	480	15	12	289
400	320	406	440	793	175	600	120	1800	1000	600	18	16	555
500	460	508	540	970	200	750	140	2250	1250	750	20	18	948
630	700	610	640	1190	225	940	160	2830	1570	940	25	22	1738
710	820	711	740	1325	250	1050	180	3200	1750	1050	25	25	2369
800	1000	813	850	1501	275	1200	200	3600	2000	1200	26	25	3130

BOLLARD - TYPE 3

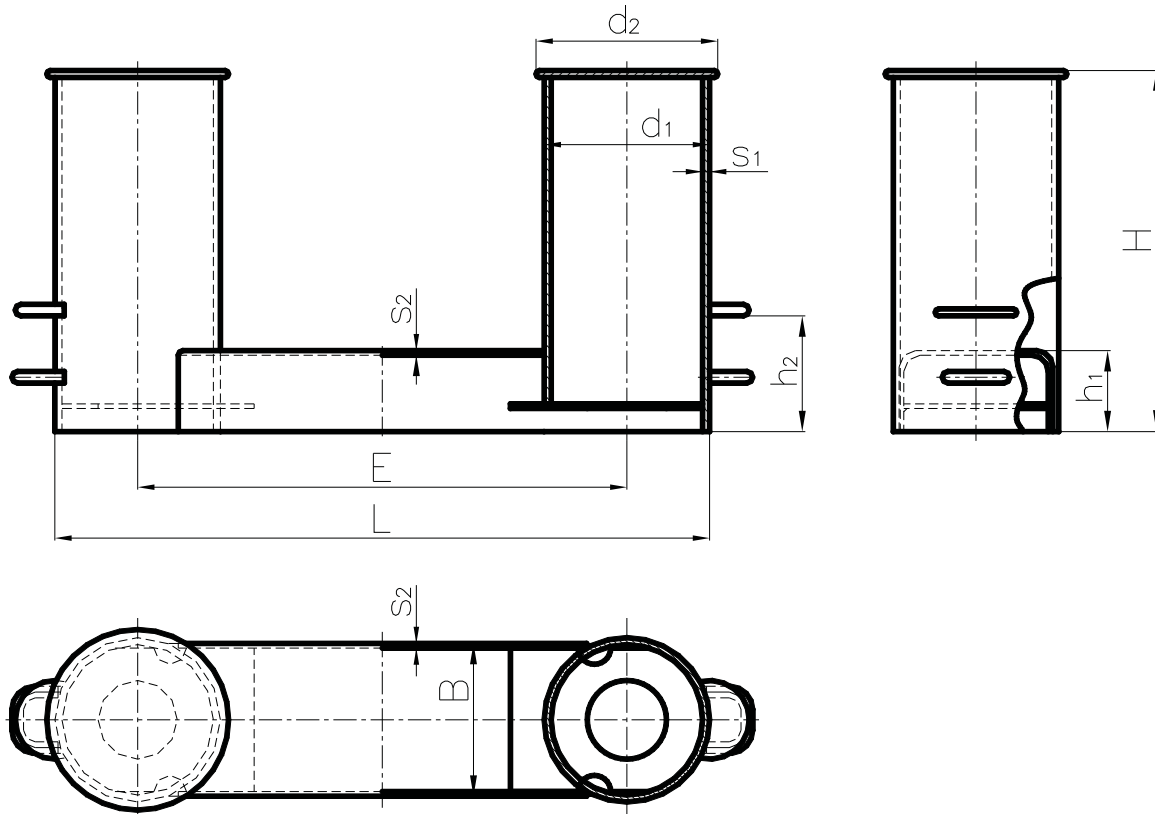
BITVA - TIP 3



Size	Nominal pull (kN)	$\varnothing d_1$ (mm)	$\varnothing d_2$ (mm)	H (mm)	h_1 (mm)	h_2 (mm)	h_3 (mm)	L (mm)	B (mm)	b_1 (mm)	s_1 (mm)	s_2 (mm)	Weight (kg)
100	30	114.3	150	235	75	150	-	250	114	90	10	8	16
125	40	139.7	170	280	80	190	-	315	140	110	10	8	24
160	50	168.3	200	350	90	250	-	400	168	125	10	10	38
200	80	219.1	250	410	100	300	80	500	219	190	10	10	60
250	120	273	310	516	125	380	90	630	273	230	11	10	101
315	200	324	355	645	150	480	100	800	324	290	15	12	197
400	320	406	440	793	175	600	120	1000	406	350	18	16	371
500	460	508	540	970	200	750	140	1250	508	390	20	18	635
630	700	610	640	1190	225	940	160	1570	610	540	25	22	1162
710	820	711	740	1325	250	1050	180	1750	711	640	25	22	1509
800	1000	813	850	1501	275	1200	200	2000	813	740	26	25	2081

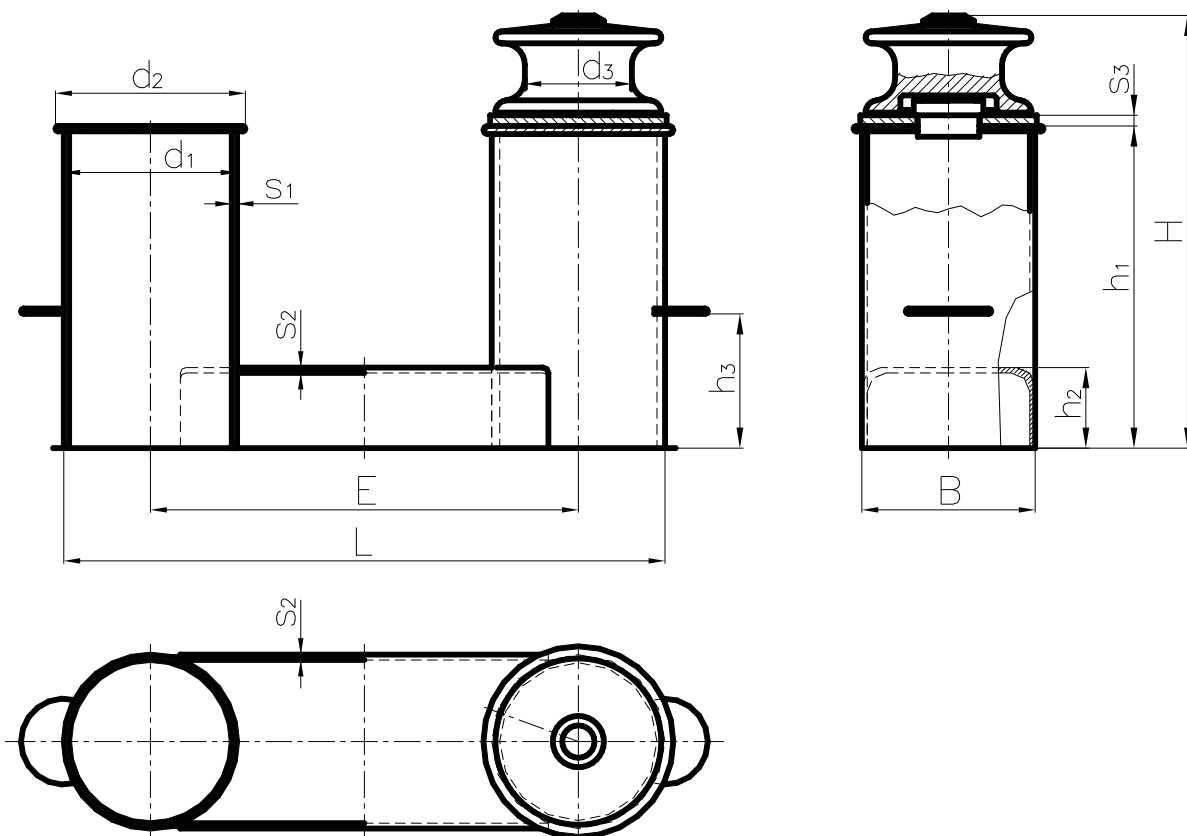
BOLLARD - TYPE 4

BITVA - TIP 4



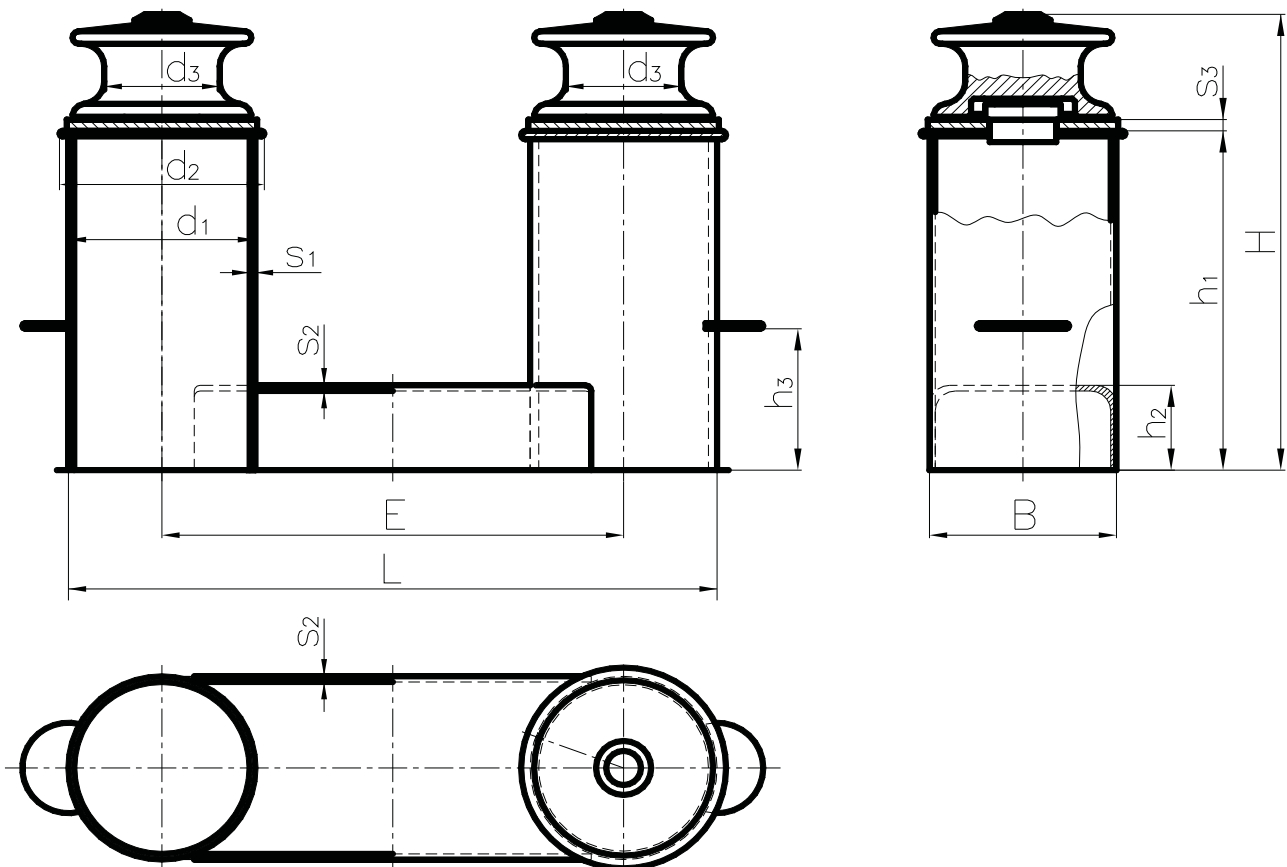
Size	Nominal pull (kN)	$\varnothing d_1$ (mm)	$\varnothing d_2$ (mm)	H (mm)	h_1 (mm)	h_2 (mm)	E (mm)	L (mm)	B (mm)	s_1 (mm)	s_2 (mm)	Weight (kg)
1	10	139.7	160	370	105	130	430	855	130	6.3	5	21
2	20	219.1	240	475	115	150	570	875	180	8	6	50
3	32	273	300	570	135	180	700	1060	250	10	8	95
5	50	323.9	355	670	150	210	880	1290	300	10	8	148
8	80	355.6	390	780	175	250	1050	1495	330	14.2	10	257
12	120	457	490	860	195	285	1200	1745	420	16	16	459
20	200	508	545	970	230	345	1350	1945	470	17.5	16	617
32	320	559	600	1000	270	415	1400	2179	530	20	16	765

BOLLARD WITH WARPING ROLLER BITVA SA VALJKOM



Size	Nominal pull (kN)	ød ₁ (mm)	ød ₂ (mm)	ød ₃ (mm)	H (mm)	h ₁ (mm)	h ₂ (mm)	h ₃ (mm)	L (mm)	E (mm)	B (mm)	s ₁ (mm)	s ₂ (mm)	s ₃ (mm)	Weight (kg)
1	80	219.1	250	150	574	400	100	180	719	500	219	10	10	20	85
2	195	324	355	200	806	600	150	250	1124	800	324	15	12	20	232
3	195	324	355	200	836	630	150	250	1124	800	324	15	12	20	247
4	200	324	355	250	880	630	150	250	1124	800	324	15	12	20	287
5	320	406	440	300	1045	775	175	295	1406	1000	406	18	16	20	498
6	320	406	440	350	1066	775	175	295	1406	1000	406	18	16	20	540
7	460	508	540	400	1277	950	225	365	1758	1250	508	20	18	20	888
8	700	610	640	450	1501	1165	275	365	2180	1250	610	25	22	20	1472

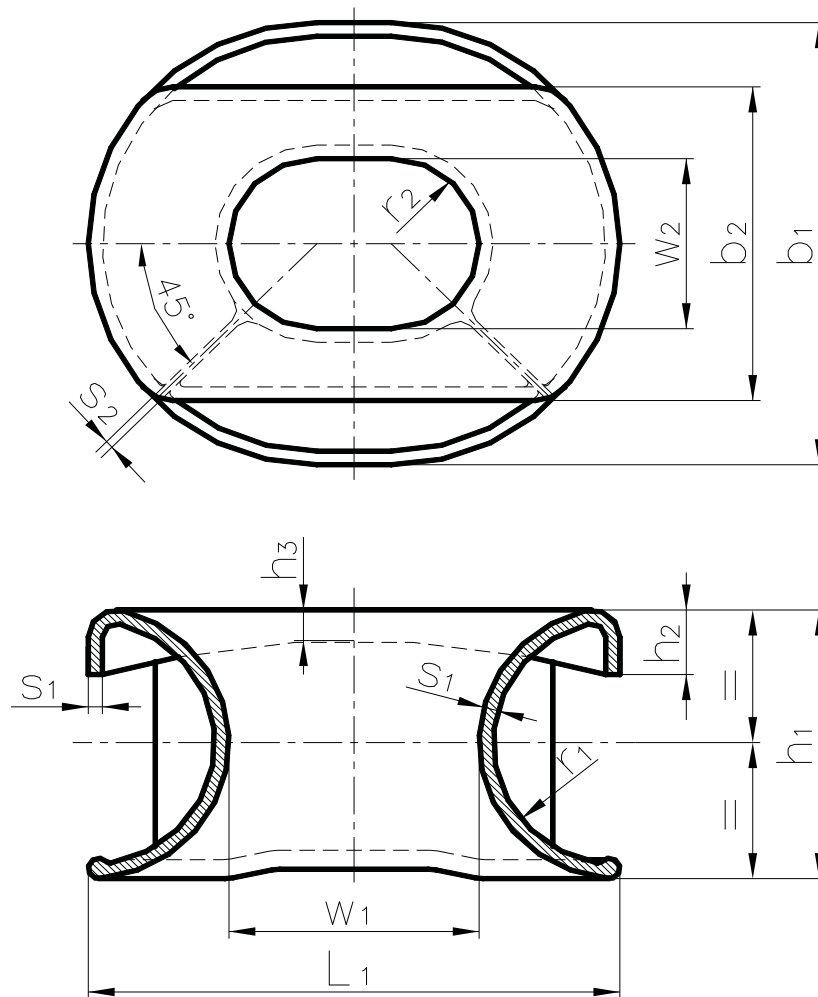
BOLLARD WITH 2 WARPING ROLLERS BITVA SA 2 VALJKA



Size	Nominal pull (kN)	ød ₁ (mm)	ød ₂ (mm)	ød ₃ (mm)	H (mm)	h ₁ (mm)	h ₂ (mm)	h ₃ (mm)	L (mm)	E (mm)	B (mm)	s ₁ (mm)	s ₂ (mm)	s ₃ (mm)	Weight (kg)
1	80	219.1	250	150	574	400	100	180	719	500	219	10	10	20	110
2	195	324	355	200	806	600	150	250	1124	800	324	15	12	20	282
3	195	324	355	200	836	630	150	250	1124	800	324	15	12	20	297
4	200	324	355	250	880	630	150	250	1124	800	324	15	12	20	377
5	320	406	440	300	1045	775	175	295	1406	1000	406	18	16	20	625
6	320	406	440	350	1066	775	175	295	1406	1000	406	18	16	20	709
7	460	508	540	400	1277	950	225	365	1758	1250	508	20	18	20	1141
8	700	610	640	450	1501	1165	275	365	2180	1250	610	25	22	20	1782

PANAMA CHOCKS - TYPE 1

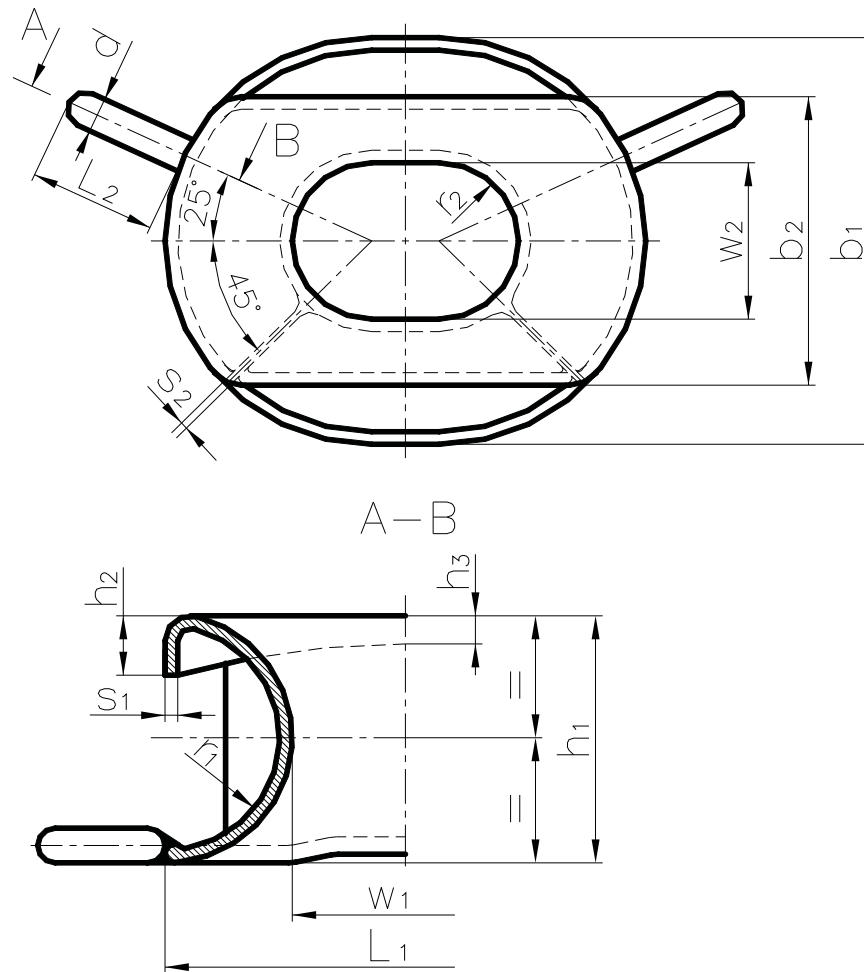
PANAMA OKA - TIP 1



Size	Nominal pull (kN)	b ₁ (mm)	b ₂ (mm)	h ₁ (mm)	h ₂ (mm)	h ₃ (mm)	L ₁ (mm)	r ₁ (mm)	r ₂ (mm)	s ₁ (mm)	s ₂ (mm)	w ₁ (mm)	w ₂ (mm)	Weight (kg)
1	10	250	175	160	65	20	285	80	45	10	5	125	90	-
2	20	315	225	200	70	25	360	100	57.5	12	6	160	115	26
3	32	390	275	250	75	32	450	125	70	14	7	200	140	42
5	50	480	340	300	80	38	550	150	90	16	8	250	180	74
8	80	585	415	360	90	45	680	180	112.5	18	9	320	225	120
12	125	710	500	440	110	55	840	220	135	20	10	400	270	185
20	200	840	595	520	130	65	1020	260	160	22	11	500	320	285
32	320	1100	800	700	150	80	1300	350	200	35	20	600	400	795

PANAMA CHOCKS - TYPE 2

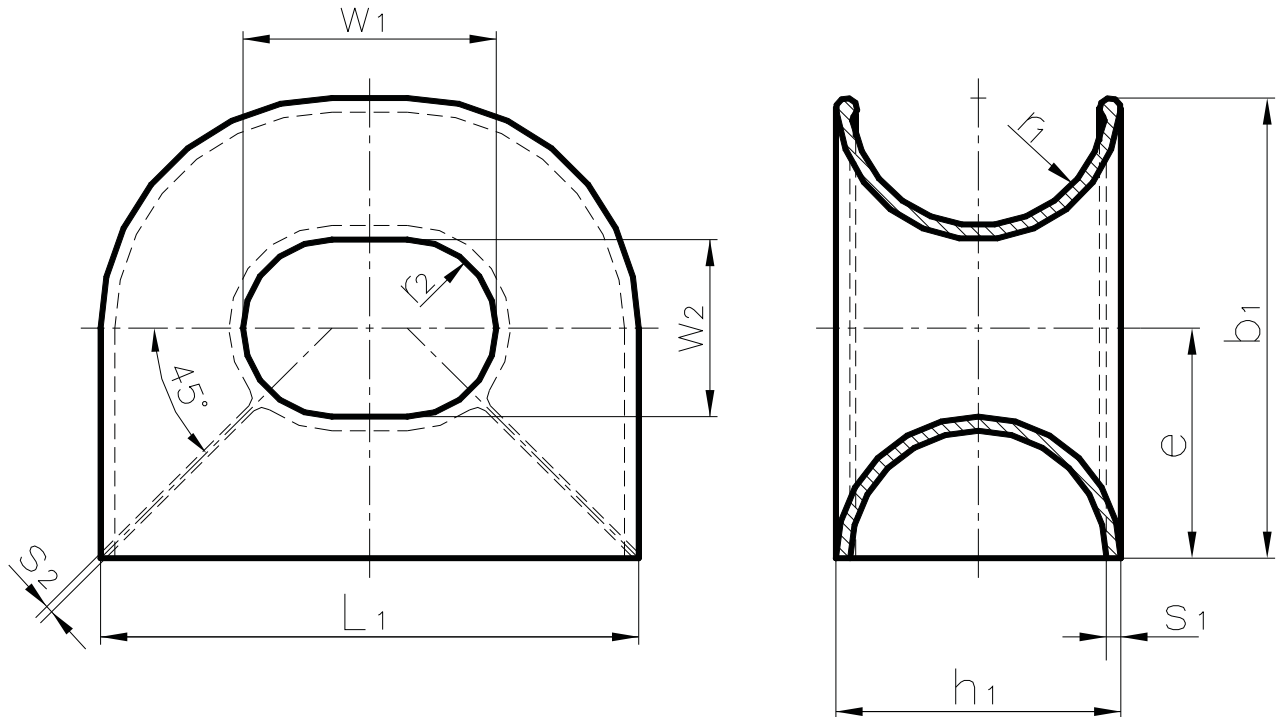
PANAMA OKA - TIP 2



Size	Nominal pull (kN)	b ₁ (mm)	b ₂ (mm)	d (mm)	h ₁ (mm)	h ₂ (mm)	h ₃ (mm)	L ₁ (mm)	L ₂ (mm)	r ₁ (mm)	r ₂ (mm)	s ₁ (mm)	s ₂ (mm)	w ₁ (mm)	w ₂ (mm)	Weight (kg)
1	10	250	175	30	160	65	20	285	115	80	45	10	5	125	90	-
2	20	315	225	35	200	70	25	360	125	100	57.5	12	6	160	115	26
3	32	390	275	40	250	75	32	450	140	125	70	14	7	200	140	42
5	50	480	340	45	300	80	38	550	160	150	90	16	8	250	180	74
8	80	585	415	50	360	90	45	680	180	180	112.5	18	9	320	225	120

PANAMA CHOCKS - TYPE 3

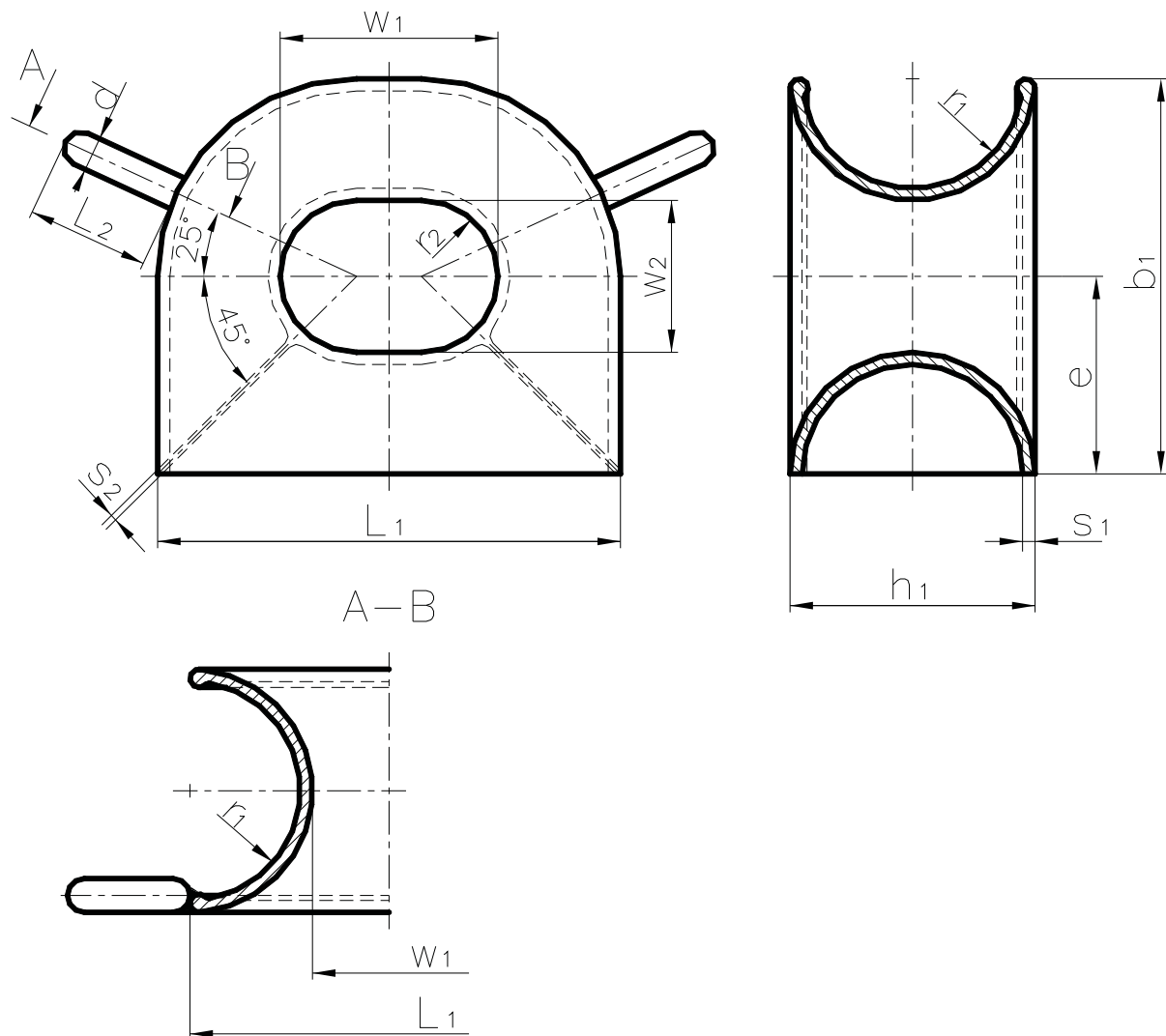
PANAMA OKA - TIP 3



Size	Nominal pull (kN)	b ₁ (mm)	e (mm)	h ₁ (mm)	L ₁ (mm)	r ₁ (mm)	r ₂ (mm)	s ₁ (mm)	s ₂ (mm)	w ₁ (mm)	w ₂ (mm)	Weight (kg)
1	10	250	125	160	285	80	45	10	5	125	90	-
2	20	315	157.5	200	360	100	57.5	12	6	160	115	29
3	32	390	195	250	450	125	70	14	7	200	140	48
5	50	480	240	300	550	150	90	16	8	250	180	85
8	80	585	292.5	360	680	180	112.5	18	9	320	225	136
12	125	710	355	440	840	220	135	20	10	400	270	211
20	200	840	420	520	1020	260	160	22	11	500	320	325
32	320	1100	550	700	1300	350	200	35	20	600	400	840

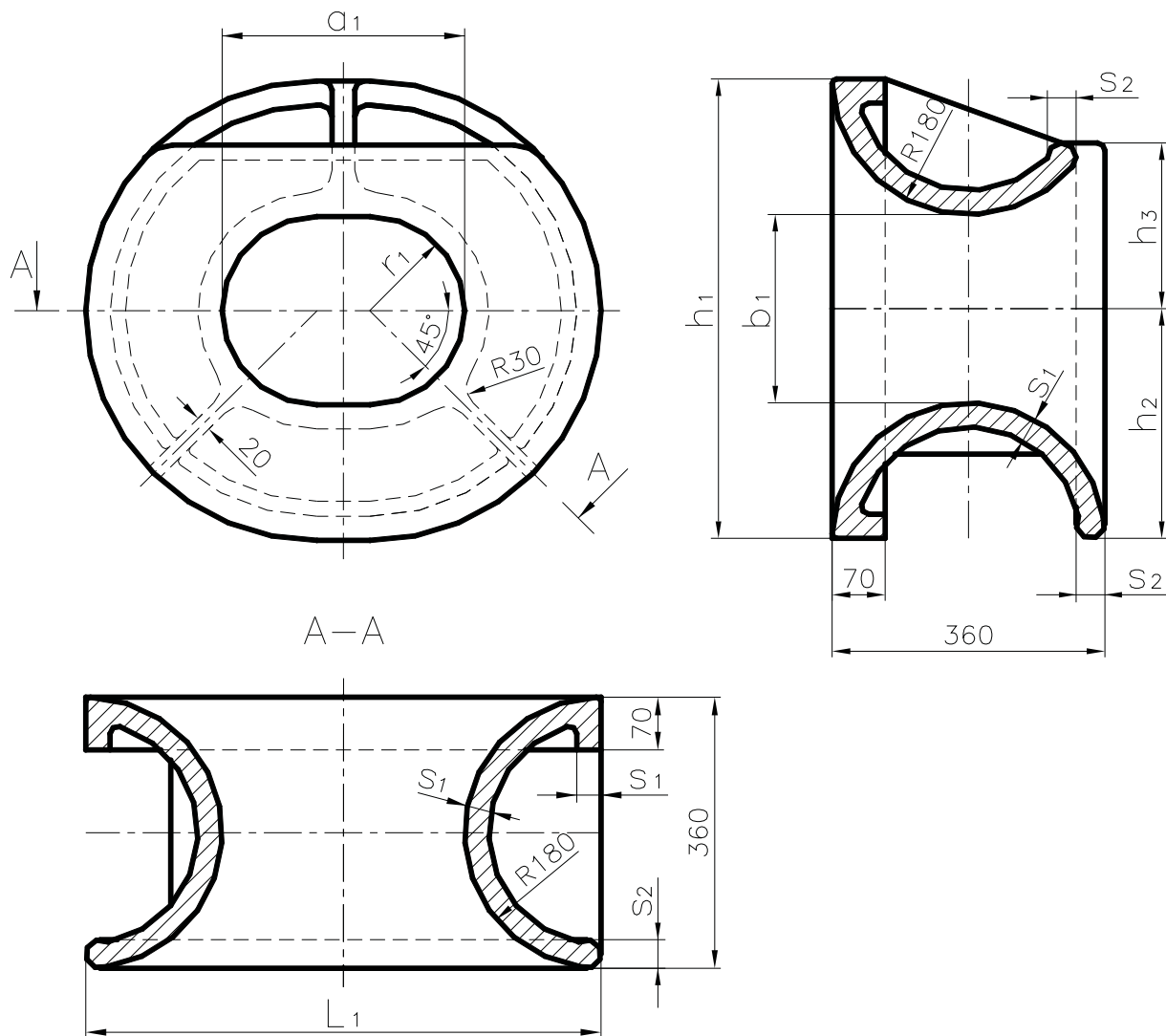
PANAMA CHOCKS - TYPE 4

PANAMA OKA - TIP 4



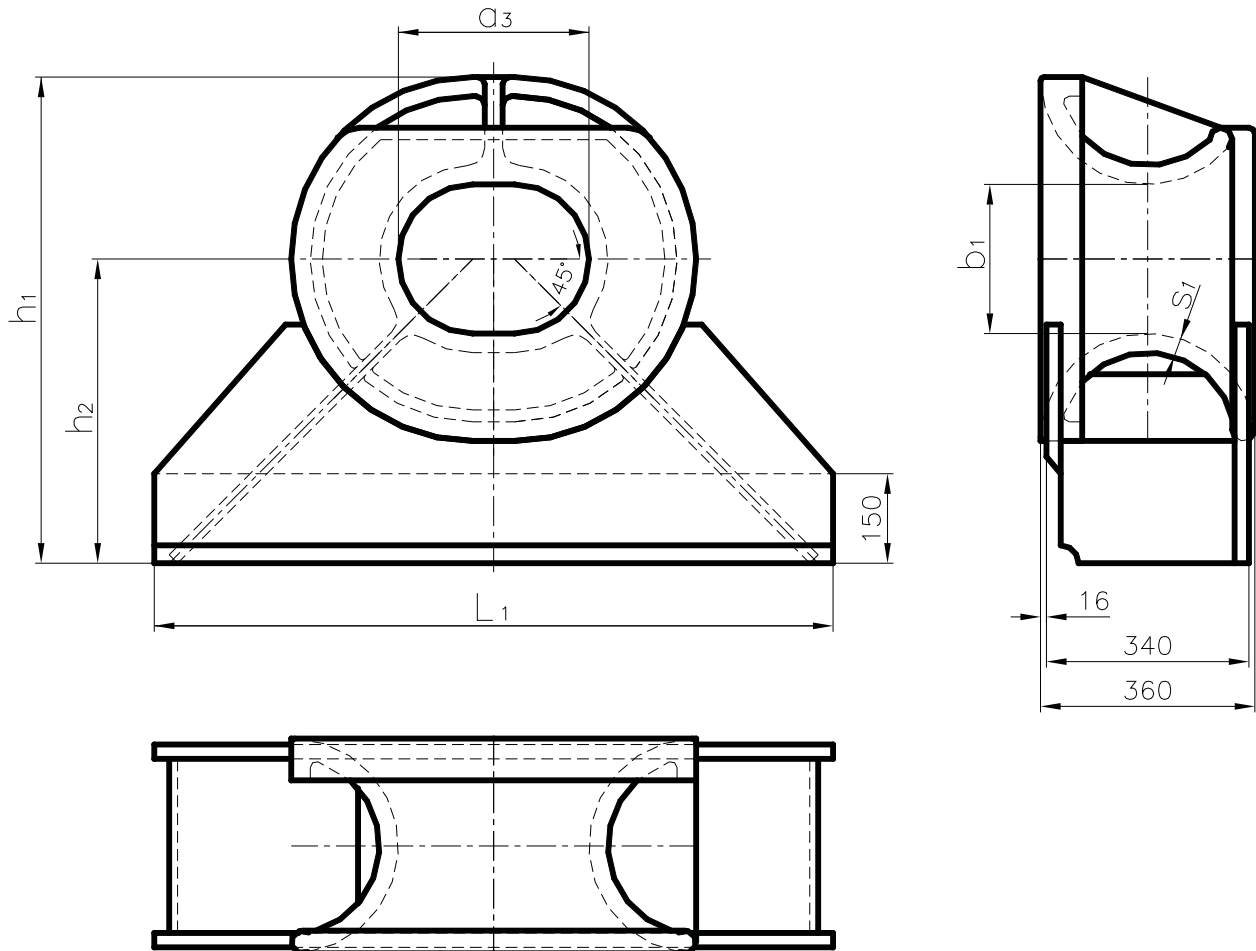
Size	Nominal pull (kN)	b ₁ (mm)	d (mm)	e (mm)	h ₁ (mm)	L ₁ (mm)	L ₂ (mm)	r ₁ (mm)	r ₂ (mm)	s ₁ (mm)	s ₂ (mm)	w ₁ (mm)	w ₂ (mm)	Weight (kg)
1	10	250	30	125	160	285	115	80	45	10	5	125	90	-
2	20	315	35	157.5	200	360	125	100	57.5	12	6	160	115	29
3	32	390	40	195	250	450	140	125	70	14	7	200	140	48
5	50	480	45	240	300	550	160	150	90	16	8	250	180	85
8	80	585	50	292.5	360	680	180	180	112.5	18	9	320	225	136

PANAMA CHOCKS - TYPE 5 PANAMA OKA - TIP 5



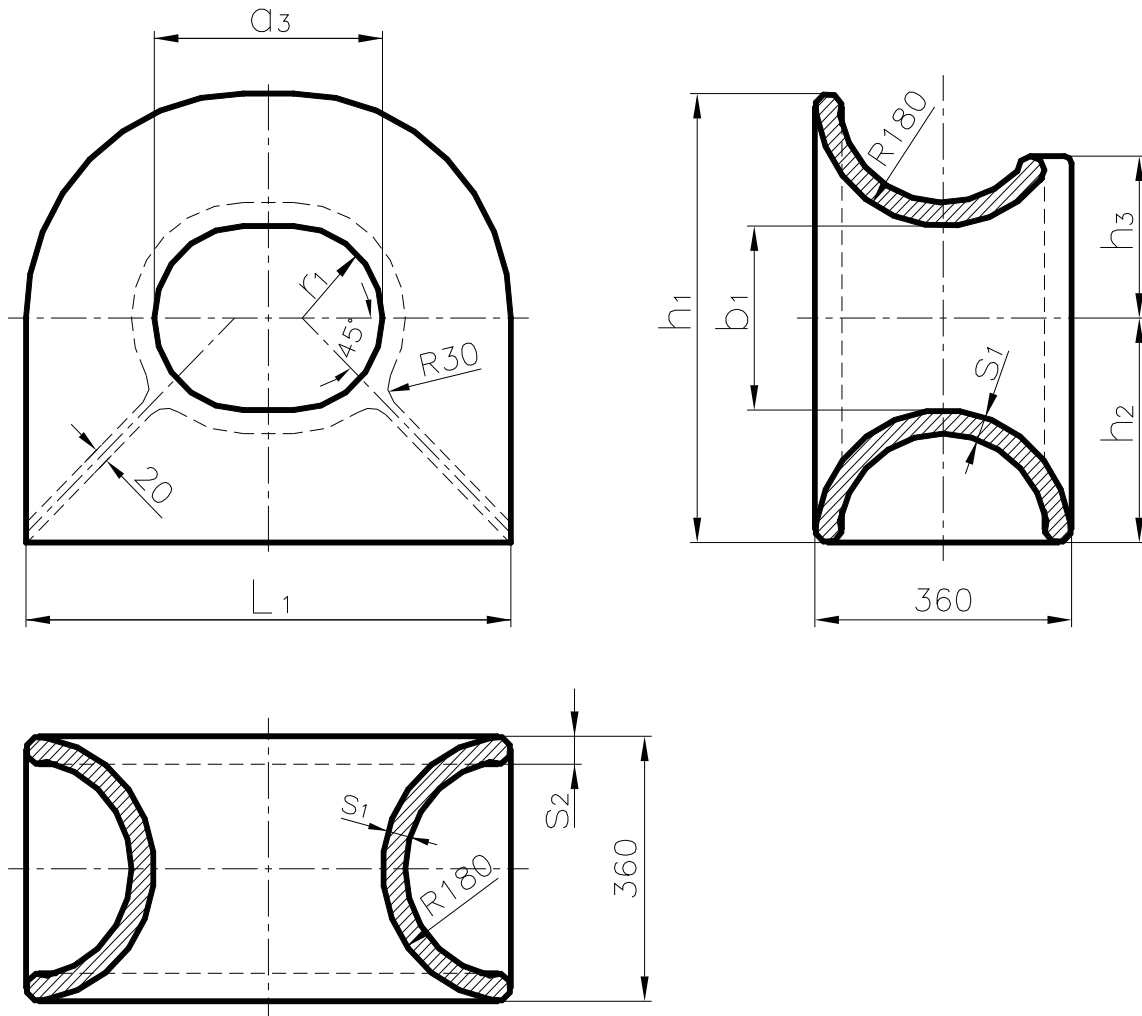
Size	a ₁ (mm)	b ₁ (mm)	h ₁ (mm)	h ₂ (mm)	h ₃ (mm)	L ₁ (mm)	r ₁ (mm)	s ₁ (mm)	s ₂ (mm)	Weight (kg)
320	320	250	610	305	220	680	125	32	38	148
400	400	270	630	315	226	760	135	36	44	187

PANAMA CHOCKS - TYPE 6 PANAMA OKA - TIP 6



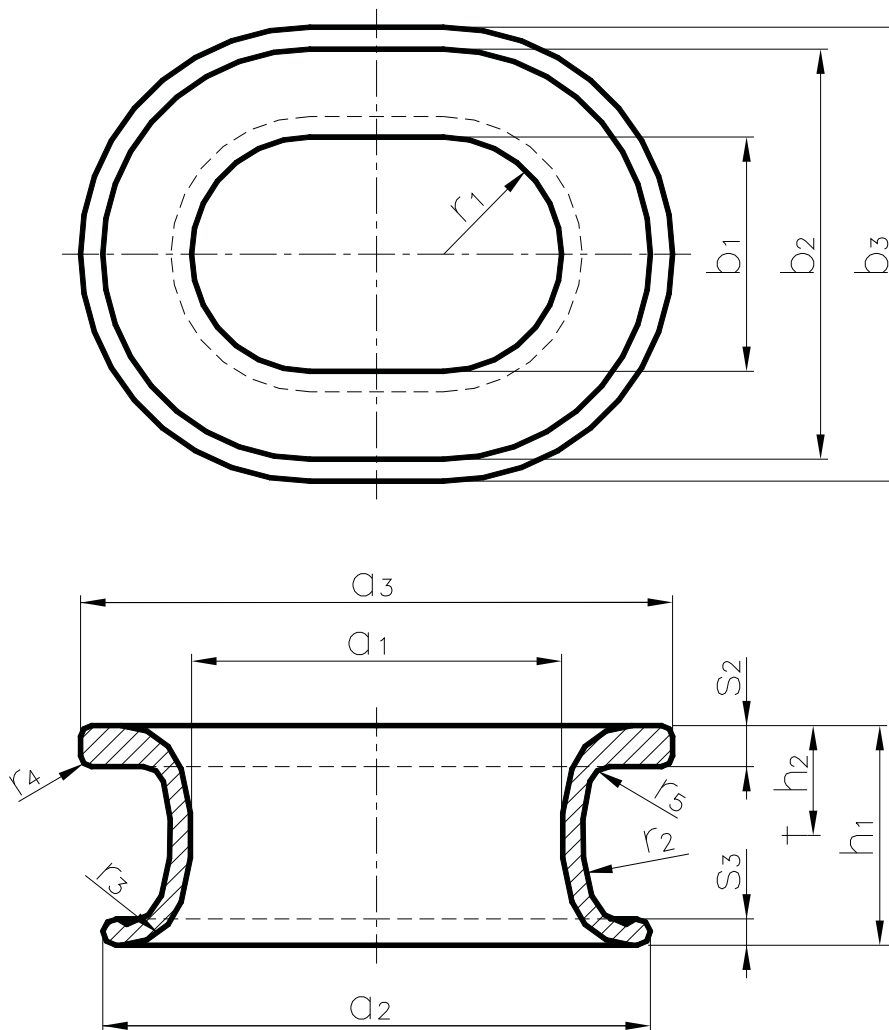
Size	a ₁ (mm)	b ₁ (mm)	h ₁ (mm)	h ₂ (mm)	L ₁ (mm)	s ₁ (mm)	Weight (kg)
320	320	250	815	510	1140	32	265
400	400	270	845	530	1240	36	320

PANAMA CHOCKS - TYPE 7 PANAMA OKA - TIP 7



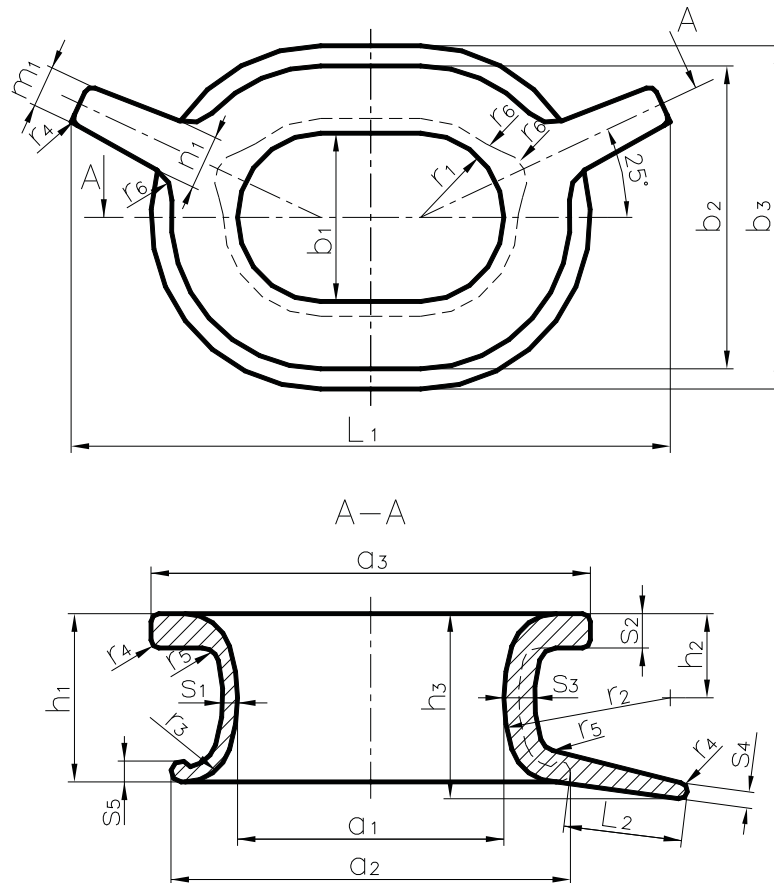
Size	a ₁ (mm)	b ₁ (mm)	h ₁ (mm)	h ₂ (mm)	h ₃ (mm)	L ₁ (mm)	r ₁ (mm)	s ₁ (mm)	s ₂ (mm)	Weight (kg)
320	320	250	610	305	220	680	125	32	38	188
400	400	270	630	315	226	760	135	36	44	231

MOORING PIPE PRIVEZNO OKO



Size	Nominal pull (kN)	a ₁ (mm)	a ₂ (mm)	a ₃ (mm)	b ₁ (mm)	b ₂ (mm)	b ₃ (mm)	h ₁ (mm)	h ₂ (mm)	r ₁ (mm)	r ₂ (mm)	r ₃ (mm)	r ₄ (mm)	r ₅ (mm)	s ₁ (mm)	s ₂ (mm)	s ₃ (mm)	Weight (kg)
160	30	160	260	315	100	200	255	125	63	50	125	30	6	15	13	31	18	17
200	40	200	320	375	125	245	300	155	75	62.5	150	40	7	18	16	36	22	27
250	50	250	390	450	160	300	360	180	90	80	180	50	10	20	18	40	25	42
320	80	320	490	550	200	370	430	210	105	100	210	60	12	22	20	45	28	67
400	120	400	600	660	250	450	510	250	125	125	250	70	12	25	22	51	31	110
500	200	500	740	800	320	560	620	300	150	160	300	85	15	28	28	56	36	188
630	320	630	910	985	400	680	755	360	180	200	360	100	15	32	31	62	40	311

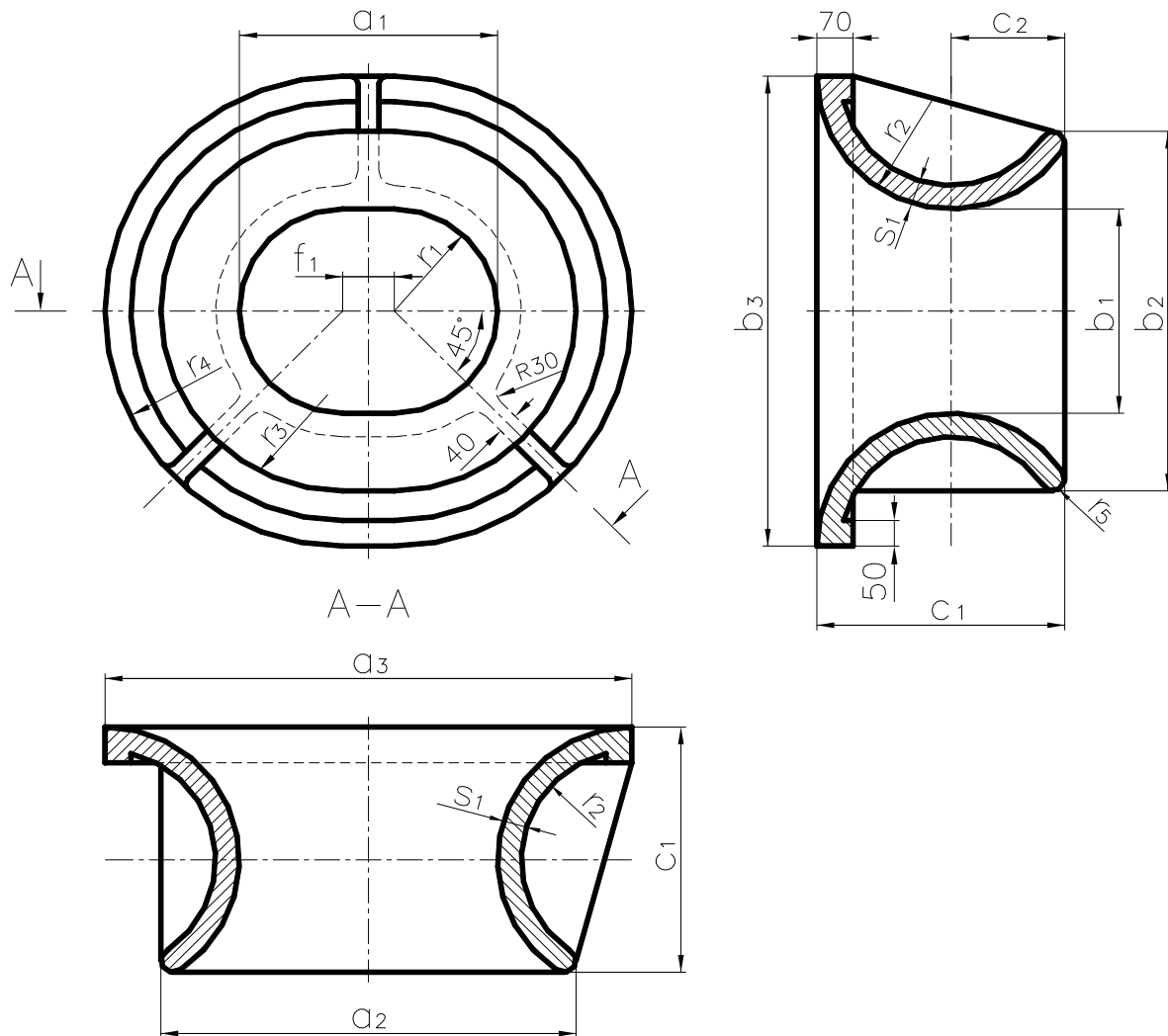
HORN TYPE MOORING PIPE PRIVEZNO OKO SA ROGOVIMA



Size	Nominall pull (kN)	a ₁ (mm)	a ₂ (mm)	a ₃ (mm)	b ₁ (mm)	b ₂ (mm)	b ₃ (mm)	h ₁ (mm)	h ₂ (mm)	h ₃ (mm)	L ₁ (mm)	L ₂ (mm)	m ₁ (mm)
160	30	160	260	315	100	200	255	125	63	148	475	125	32
200	40	200	320	375	125	245	300	150	75	175	545	132	40
250	50	250	390	450	160	300	360	180	90	205	630	140	45
320	80	320	490	550	200	370	430	210	105	235	760	160	50
400	120	400	600	660	250	450	510	250	125	275	900	180	60

Size	n ₁ (mm)	r ₁ (mm)	r ₂ (mm)	r ₃ (mm)	r ₄ (mm)	r ₅ (mm)	r ₆ (mm)	s ₁ (mm)	s ₂ (mm)	s ₃ (mm)	s ₄ (mm)	s ₅ (mm)	Weight (kg)
160	50	50	125	30	6	15	30	13	31	30	18	18	19
200	60	62.5	150	40	7	18	35	16	36	35	21	22	29
250	67	80	180	50	10	20	38	18	40	38	23	25	45
320	75	100	210	60	12	22	42	20	45	42	25	28	70
400	85	125	250	70	12	25	46	22	51	46	28	31	116

SINGLE POINT MOORING PIPE OKO ZA JEDNOSTRUKI PRIVEZ



Size	Nominal pull (kN)	a ₁ (mm)	a ₂ (mm)	a ₃ (mm)	b ₁ (mm)	b ₂ (mm)	b ₃ (mm)	c ₁ (mm)	c ₂ (mm)	f ₁ (mm)	r ₁ (mm)	r ₂ (mm)	r ₃ (mm)	r ₄ (mm)	r ₅ (mm)	s ₁ (mm)	Weight (kg)
500	1000	500	804	1020	400	700	920	480	220	100	200	260	352	460	23	46	390
600	2000	600	966	1180	450	816	1030	540	250	150	225	290	383	515	30	60	657